

# Tamilnadu Board Class 12 Physics Sample Paper 2

## HIGHER SECONDARY SECOND YEAR

### PHYSICS

#### MODEL QUESTION PAPER-II

TIME : 2.30 HOURS

MARKS : 70

#### PART-I

#### I. CHOOSE THE CORRECT ANSWER.

15x1=15

- If the electric potential is constant in the given region, the electric field will be
  - a constant
  - Varying with respect to distance
  - Zero
  - $\frac{1}{r}$  times of its potential
- Terminal voltage across a secondary cell is equal to its emf, When
  - at the time of charging
  - at the time of discharging
  - no current is drawn from the cell
  - none of the above
- An electric current is passing through East along a long conductor. The direction of magnetic field above the wire
  - towards East
  - towards West
  - towards South
  - towards North
- An inductor with iron core and a bulb are connected to in series a circuit with D.C source. If an iron core is removed from an inductor, then the brightness of the bulb will.
  - be a same
  - increase
  - decrease
  - increase a moment then decreases
- Electromagnetic waves are
  - transverse
  - produced by accelerated charges
  - Chargeless
  - all the above



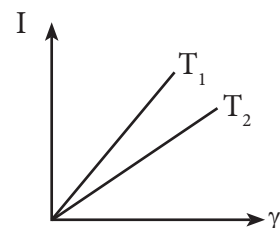
12. If the self inductance of an air core inductor increases from 0.1 mH to 20 mH on the introduction of metal core into it. The relative permeability of the core used is
- a) 200                      b) 20                      c) 2                      d) 1
13. The width of depletion region in a PN junction diode
- a) decreases when reverse bias applied
- b) increases when reverse bias applied
- c) increases when forward bias applied
- d) remains the same. irrespective of the bias voltage
14. In a common emitter amplifier, the output resistance is  $4000 \Omega$  and the input resistance is  $1 \text{ k} \Omega$ . If the peak value of the signal voltage is  $10 \text{ mV}$  and  $\beta = 50$ , then the peak value of the output voltage is
- a)  $500 \times 10^{-3} \text{ V}$                       b)  $1.25 \text{ V}$                       c)  $200 \text{ V}$                       d)  $2 \text{ V}$
15. A sinusoidal carrier voltage of  $100 \text{ V}$  is amplitude modulated by a sinusoidal voltage of frequency  $5 \text{ kHz}$  resulting in maximum modulated carrier amplitude of  $180 \text{ V}$ . The modulation factor is
- a) 1.8                      b) 1                      c) 0.8                      d) 1.6

### PART - II

Answer any six questions in which Q.No 19 is compulsory

$6 \times 2 = 12$

- 16) What is rectification?
- 17) Three point charges  $4q, Q$  and  $2q$  are placed in a straight line of length  $10 \text{ cm}$  at points distance  $0.5 \text{ cm}, 10 \text{ cm}$  respectively. If the net force on charge  $2q$  is zero, then calculate the value of  $Q$
- 18) The  $V - I$  graph for a given metallic wire at different temperatures  $T_1$  and  $T_2$  are shown. Which of the temperature  $T_1$  and  $T_2$  is greater? Give explanation.



- 19) To increase the current sensitivity of a moving coil galvanometer by 50% its resistance is increased so that the new resistance becomes twice its initial resistance. Derive By what factor does the voltage sensitivity change.
- 20) A piece of metal and non metallic stone are dropped simultaneously from the same height (near the surface of the earth) Which one will reach ground earlier? Give reason.
- 21) What are the condition for total internal reflection?
- 22) State the principle of Millikan's oil drop experiment.
- 23) Write a note on variation of mass with velocity.
- 24) Two radio active materials  $x_1$  and  $x_2$  have decay constants  $10\lambda$  and  $\lambda$  respectively. If initially they have the same number of nuclei then after what time the ratio of the number of nuclei of  $x_1$  to that of  $x_2$  will be  $1/e$ ?

### PART - III

**III. Answer any six questions. Q.No : 30 is compulsory**

**6 x 3 = 18**

- 25) Derive an expression for potential due to a point charge.
- 26) The range of a voltmeter of resistance  $300 \Omega$  is  $5V$  Calculate the resistance to be connected to convert it into an ammeter of range  $5A$ ?
- 27) Write a note on Nicol prism.
- 28) Explain the power losses in transformer.
- 29) State and explain Bragg's law.
- 30) A proton is moving at a speed of  $0.900$  times the velocity of light. Find its kinetic energy in Joules and MeV.
- 31) What are the properties of neutron?
- 32) State and prove de Morgan's theorem.
- 33) Explain Frequency Modulated Transmitter by using block diagram.

## PART - IV

**Note : Answer all the questions**

**5 x 5 = 25**

34) Derive an expression for electric field due to an electric dipole along its equatorial line.

(or)

Describe the working of a transistor amplifier.

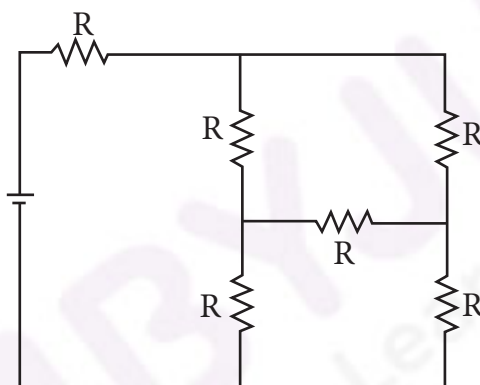
35) Describe the principle, construction and working of cyclotron.

(or)

What are cosmic rays? Explain how the intensity of the cosmic rays changes with latitude and altitude.

36) (a) Derive an expression for resultant of resistances when connected in series.

(b) Calculate the resultant resistance of the given circuit



(or)

(a) Derive an expression for bandwidth of Interference fringes in Young's double slit experiment.

37) Obtain an expression for the radius of the  $n^{\text{th}}$  electronic orbit of an atom based on Bohr's theory.

(or)

What is the principle of radar? Describe the transmission and reception of radar by using block diagram.

38) Discuss with theory the method of inducing emf in a coil by changing its orientation with respect to the direction of the magnetic field.

(or)

Explain the action of operational amplifier as (i) inverting amplifier and as (ii) difference amplifier.