

## Exercise Solutions

**Question 1:** A wave pulse passing on a string with a speed of  $40 \text{ cm s}^{-1}$  in the negative x-direction has its maximum at  $x = 0$  at  $t = 0$ . Where will this maximum be located at  $t = 5 \text{ s}$ ?

**Solution:**

Given: A wave pulse passing on a string with a speed of  $40 \text{ cm s}^{-1}$  in the negative x-direction has its maximum at  $x = 0$  at  $t = 0$ .

We know,  $v = x/t$

or  $x = vt$

$\Rightarrow x = 0.4 \times 5 \text{ m} = 2 \text{ m}$

or  $x = 200 \text{ cm}$  along the negative x-axis.

**Question 2:** The equation of a wave travelling on a string stretched along the X-axis is given by

$$y = Ae^{-\left(\frac{x}{a} + \frac{t}{T}\right)^2}$$

(a) Write the dimensions of A, a and T. (b) Find the wave speed. (c) In which direction is the wave travelling? (d) Where is the maximum of the pulse located at  $t = T$ ? At  $t = 2T$ ?

**Solution:**

(a) dimensions of A, a and T

$$[A] = [L]$$

$$[a] = [L] \text{ and}$$

$$[T] = [T]$$

(b) Find the wave speed:

$$\text{Wave speed} = v = \lambda/T = a/T$$

(c)

The whole structure depends upon the exponent.

$$\text{Let } Y = -\left(\frac{x}{a} + \frac{t}{T}\right)^2 = -\left(\frac{1}{T^2}\right)\left(\frac{xT}{a} + t\right)^2$$

$$\text{or } Y = f\left(t + \frac{x}{v}\right)$$

Now,

Case 1: If  $y = f(t - x/v)$ , then wave is travelling in positive direction.

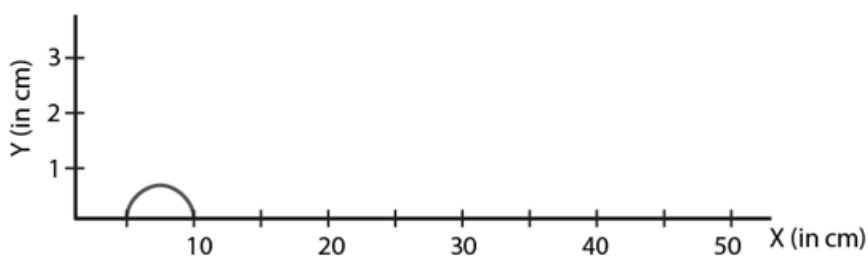
Case 2: If  $y = f(t + x/v)$ ,  $x/v$ , then wave is travelling in negative direction.

(d) wave speed =  $v = a/T$

The maximum pulse at  $t = T$  is  $(a/T) \times T = a \rightarrow$  negative x-axis  
and maximum pulse at  $t = 2T$  is  $(a/T) \times 2T = 2a \rightarrow$  along negative x-axis

So, the wave travels in negative x-axis direction.

**Question 3:** Figure (below) shows a wave pulse at  $t = 0$ . The pulse moves to the right with a speed of  $10 \text{ cm s}^{-1}$ . Sketch the shape of the string at  $t = 1 \text{ s}$ ,  $2 \text{ s}$  and  $3 \text{ s}$ .



**Solution:**

Using relation:  $x = vt$

At  $t = 1 \text{ s}$  the pulse will be at  $10 \text{ cm}$ .

At  $t = 2 \text{ s}$  the pulse will be,  $x = 2(10) \text{ cm} = 20 \text{ cm}$

At  $t = 3 \text{ s}$  the pulse will be,  $x = 3(10) \text{ cm} = 30 \text{ cm}$

**Question 4:** A pulse travelling on a string is represented by the function

$$y = \frac{a^3}{(x - vt)^2 + a^2},$$

where  $a = 5 \text{ mm}$  and  $u = 20 \text{ cm s}^{-1}$ . Sketch the shape of the string at  $t = 0, 1 \text{ s}$  and  $2 \text{ s}$ . Take  $x = 0$  in the middle of the string.

**Solution:**

$$y = a^3/(x^2+a^2)$$

For maximum,  $dy/dx = 0$

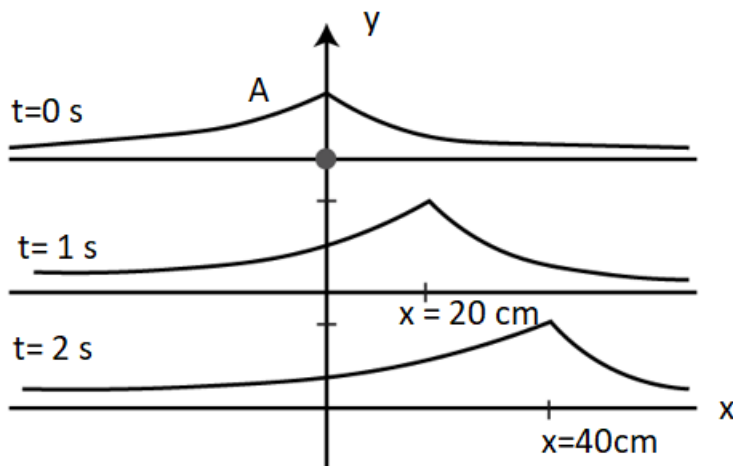
$$\Rightarrow x = vt$$

again  $dx/dt = v$

At  $t = 0 \text{ s}$ ,  $x = 0 \text{ cm}$

At  $t = 1 \text{ s}$ ,  $x = 20 \text{ cm}$

At  $t = 2 \text{ s}$ ,  $x = 40 \text{ cm}$



**Question 5:** The displacement of the particle at  $x = 0$  of a stretched string carrying a wave in the positive  $x$ -direction is given by  $f(t) = A \sin(t/T)$ . The wave speed is  $u$ . Write the wave equation.

**Solution:** At  $x = 0$ ,  $f(t) = a \sin(t/T)$

$\Rightarrow$  wavelength  $= \lambda = vT$

So, general equation of wave,

$$Y = A \sin((t/T) - (x/vT))$$

**Question 6:** A wave pulse is travelling on a string with a speed  $u$  toward the position  $X$ -axis. The shape of the string at  $t = 0$  is given by  $g(x) = A \sin(x/a)$ , where  $A$  and  $a$  are constants.

(a) What are the dimensions of  $A$  and  $a$ ?

(b) Write the equation of the wave for a general time  $t$ , if the wave speed is  $u$ .

**Solution:**

(a) dimensions of  $A$  and  $a$

$$[A]=[L] \text{ and } [a]=[L]$$

(b) wave velocity is  $v$  (given). So, the time period will be,

$$T = \lambda/v$$

Here  $\lambda = a$

$$\Rightarrow T = a/v$$

Therefore,  $Y = \sin(x/\lambda - t/T)$

$$= A \sin(x/a - vt/a)$$

$$= A \sin[(x-vt)/a]$$

**Question 7:** A wave propagates on a string in the positive  $x$ -direction at a velocity  $u$ . The shape of the string at  $t = t_0$  is given by  $g(x, t_0) = A \sin(x/a)$ . Write the wave equation for a general time  $t$ .

**Solution:**

The general equation:

$$Y = A \sin(x/\lambda - t/T)$$

Here  $\lambda = a$  also  $T = a/v$

$$Y = A \sin(x/a - vt/a)$$

$$\Rightarrow A \sin(x/a) = A \sin(x/a + vt_0/a)$$

To sustain equality, the equation must be,

$$Y = A \sin(x/a - vt/a + vt_0/a)$$

**Question 8:** The equation of a wave travelling on a string is

$$y = (0.10 \text{ mm}) \sin[(31.4 \text{ m}^{-1}) x + (314 \text{ s}^{-1}) t].$$

- (a) In which direction does the wave travel?
- (b) Find the wave speed, the wavelength and the frequency of the wave.
- (c) What is the maximum displacement and the maximum speed of a portion of the string?

**Solution:**

The equation of a wave travelling on a string:

$$y = (0.10 \text{ mm}) \sin[(31.4 \text{ m}^{-1}) x + (314 \text{ s}^{-1}) t].$$

We know, The structure of the equation is  $y = A \sin(kx + \omega t)$

(a) Negative x -direction.

(b)  $k = 31.4 \text{ m}^{-1}$

$$\Rightarrow 2\pi/\lambda = 3.14$$

or  $\lambda = 20 \text{ cm}$

Again,  $\omega = 314 \text{ s}^{-1}$

$\Rightarrow 2\pi f = 314$

$\Rightarrow f = 50 \text{ sec}^{-1}$

Therefore, wave speed =  $v = \lambda f = 20 \times 50 = 1000 \text{ cm/s}$

(c) Max displacement =  $0.10 \text{ mm}$

Max. velocity =  $a\omega = (0.1) \times 10^{-1} \times 314 = 3.14 \text{ cm/sec}$

**Question 9:** A wave travels along the position  $x$ -direction with a speed of  $20 \text{ m s}^{-1}$ . The amplitude of the wave is  $0.20 \text{ cm}$  and the wavelength  $2.0 \text{ cm}$ . (a) Write a suitable wave equation which describes this wave. (b) What is the displacement and velocity of the particle at  $x = 2.0 \text{ cm}$  at time  $t = 0$  according to the wave equation written? Can you get different values of this quantity if the wave equation is written in a different fashion?

**Solution:**

Here,  $\lambda = 2 \text{ cm}$ ,  $V = 2.0 \text{ m/s}$  and  $A = 0.20 \text{ cm}$

(a) Equation of wave along the  $x$ -axis

$$y = A \sin(kx - \omega t)$$

$$k = 2\pi/\lambda = \pi \text{ cm}^{-1}$$

$$\text{and } T = \lambda/v = 2/2000 = 10^{-3} \text{ sec}$$

This implies,  $\omega = 2\pi/T = 2\pi \times 10^3 \text{ sec}$

So, the wave equation is,

$$y = (0.2) \sin \pi x - (2\pi \times 10^3)t$$

(b) At  $x = 2$  cm and  $t = 0$

$$y = (0.2)\sin(\pi/2) = 0$$

Therefore, particle velocity,  $v = r\omega \cos(\pi x) = 0.2 \times 2000\pi \times \cos 2\pi = 400\pi$

$$= 400 \times 3.14$$

$$= 4\pi \text{ m/s}$$

**Question 10:** A wave is described by the equation

$$y = (1.0 \text{ mm}) \sin \pi \left( \frac{x}{2.0 \text{ cm}} - \frac{t}{0.01 \text{ s}} \right)$$

(a) Find the time period and the wavelength?

(b) Write the equation for the velocity of the particles. Find the speed of the particle at  $x = 1.0$  cm at time  $t = 0.01$  s.

(c) What are the speeds of the particles at  $x = 3.0$  cm,  $5.0$  cm and  $7.0$  cm at  $t = 0.01$  s?

(d) What are the speeds of the particles at  $x = 1.0$  cm at  $t = 0.011$ ,  $0.012$  and  $0.013$  s?

**Solution:**

(a)  $T = 2 \times 0.01 \text{ sec} = 20 \text{ ms}$

$$\lambda = 2 \times 2 = 4 \text{ cm}$$

(b)  $v = dy/dt = d/dt [\sin 2\pi(x/4 - t/0.02)]$

$$= -\cos 2\pi (x/4 - t/0.02) \times 1/0.02$$

$$\Rightarrow v = -50 \cos 2\pi (x/4 - t/0.02)$$

At  $x = 1$  and  $t = 0.01$  sec,  $v = -50 \cos 2(1/4 - 1/2) = 0$

(c)

At  $x = 3$  cm,  $t = 0.01$  sec

$$v = -50 \cos 2\pi(3/4 - 1/2) = 0$$

At  $x = 5$  cm,  $t = 0.01$  sec,  $v = 0$

At  $x = 7$  cm and  $t = 0.011$  sec,  $v = 0$

At  $x = 1$  cm, and  $t = 0.011$  sec

$$v = -50 \cos 2\pi[1/4 - (0.011/0.02)]$$

$$= -9.7 \text{ cm/sec}$$

**Question 11:** A particles on a stretched string supporting a travelling wave takes 50 ms to move from its mean position to the extreme position. The distance between two consecutive particles, which are at their mean positions, is 20 cm. Find the frequency, the wavelength and the wave speed.

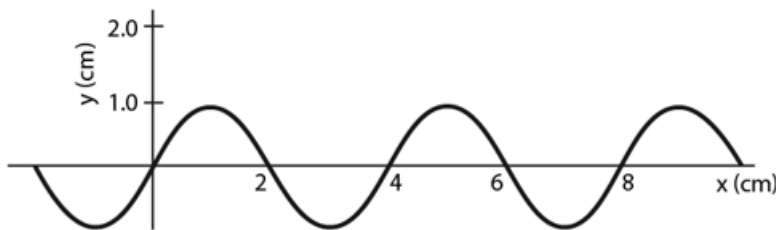
**Solution:**

$$\text{frequency of vibration} = f = 1/T = 50 \text{ Hz}$$

Any two neighbouring mean positions always remain at half of the wave length,  $\lambda = 4$  cm

$$\text{Now, wave speed} = v = \lambda f = 2 \text{ m/s}$$

**Question 12:** Figure (below) shows a plot of the transverse displacements of the particles of a string at  $t = 0$  through which a travelling wave is passing in the positive  $x$ -direction. The wave speed is  $20 \text{ cm s}^{-1}$ . Find (a) the amplitude, (b) the wavelength, (c) the wave number and (d) the frequency of the wave.



**Solution:**

$$V = 200 \text{ m/s (given)}$$

$$\text{(a) amplitude} = A = 1 \text{ mm}$$



(b) the wavelength =  $\lambda = 4$  cm

(c) the wave number =  $n = 2\pi/\lambda = 1.57 \text{ cm}^{-1}$

(d) the frequency of the wave =  $f = 1/T = (26/\lambda)/20 = 5$  Hz

Where  $T = \lambda/v$

**Question 13:** A wave travelling on a string at a speed of  $10 \text{ m s}^{-1}$  causes each particle of the string to oscillate with a time period of 20 ms.

(a) What is the wavelength of the wave?

(b) If the displacement of a particle is 15 mm at a certain instant, what will be the displacement of a particle 10 cm away from it at the same instant?

**Solution:**

$$(a) v = \lambda/T$$

$$\text{or } \lambda = vt = 20 \text{ cm}$$

$$(b) \text{Phase shift difference} = (2\pi/\lambda)x = 2\pi/20 \times 10 = \pi \text{ rad}$$

$$y_1 = a \sin(\omega t - kx)$$

$$\Rightarrow 1.5 = a \sin(\omega t - kx)$$

the displacement of a particle at  $x = 10$  cm

$$y_2 = a \sin(\omega t - kx + \pi)$$

$$\Rightarrow -a \sin(\omega t - kx) = -1.5 \text{ mm}$$

Therefore, displacement of a particle is -1.5 mm

**Question 14:** A steel wire of length 64 cm weights 5 g. If it is stretched by a force of 8 N, what would be the speed of a transverse wave passing on it?

**Solution:**

Mass = 5g, Length = 64cm and Force = 8 N (given)

So, density =  $\rho = (5/64) \text{ g/cm}$

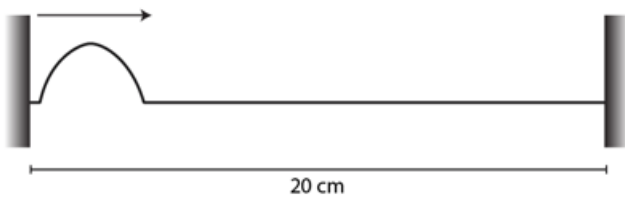
Now,  $F = \rho v^2$

or  $v^2 = 8 \times (64 \text{ cm}/5\text{g})$

or  $v = 32 \text{ m/s}$

**Question 15:** A string of length 20 cm and linear mass density  $0.40 \text{ g cm}^{-1}$  is fixed at both ends and is kept under a tension of 16 N. A wave pulse is produced at  $t = 0$  near an end as shown in figure (below), which travels towards the other end.

(a) When will the string have the shape shown in the figure again? (b) Sketch the shape of the string at a time half of that found in part (a).



**Solution:**

(a) velocity of wave =  $v^2 = T/m = (16 \times 10^5)/0.4$

or  $v = 2000 \text{ cm/s}$

Time taken to reach other end =  $20/2000 = 0.01 \text{ sec}$

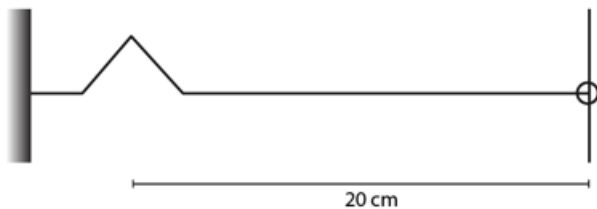
Time taken to see the pulse again in the original position =  $0.01 \times 2 = 0.02 \text{ s}$

(b) At  $t = 0.01 \text{ s}$ , there will be a trough at the right end as it is reflected.

**Question 16:** A string of linear mass density  $0.5 \text{ g cm}^{-1}$  and a total length 30 cm is tied to a fixed wall at one end and to a frictionless ring at the other end (figure below). The ring can move on a vertical rod. A wave pulse is produced on the string which moves

towards the ring at a speed of  $20 \text{ cm s}^{-1}$ . The pulse is symmetric about its maximum which is located at a distance of 20 cm from the end joined to the ring.

- (a) Assuming that the wave is reflected from the ends without loss of energy, find the time taken by the string to regain its shape. (b) The shape of the string changes periodically with time. Find this time period. (c) What is the tension in the string?



**Solution:**

(a) The distance travelled by the wave =  $20+20 = 40 \text{ cm}$

$$\text{time} = t = x/v = 40/20 = 2 \text{ sec}$$

(b) The string regains its original shape after completing a periodic distance i.e.  $(30+30) \text{ cm} = 60 \text{ cm}$ .

$$\text{time period} = 60/20 = 3 \text{ sec}$$

$$(c) \text{ frequency} = n = (1/3) \text{ sec}^{-1}$$

$$n = (1/2l)v(T/m)$$

$$m = \text{mass per unit length} = 0.5 \text{ g/cm}$$

$$\Rightarrow (1/3) = 1/(2 \times 30) \times v(T/0.5)$$

$$\Rightarrow T = 2 \times 10^{-3} \text{ N}$$

**Question 17:** Two wires of different densities but same area of cross section is soldered together at one end and are stretched to a tension  $T$ . The velocity of a transverse wave in the first wire is double of that in the second wire. Find the ratio of the density of the first wire to that of the second wire.

**Solution:** Let  $v_1$  and  $v_2$  are the velocities of wires.  
 $\rho_1$  and  $\rho_2$  are the respective densities.

Therefore,  $T_1 = T_2$

$$\Rightarrow \rho_1 v_1^2 = \rho_2 v_2^2$$

$$\text{or } \rho_1/\rho_2 = v_2^2/v_1^2$$

Given that,  $V_1 = 2V_2$

$$\rho_1/\rho_2 = v_2^2/4v_2^2 = 1/4$$

$$\text{or } \rho_1/\rho_2 = 0.25$$

**Question 18:** A transverse wave described by  $y = (0.02 \text{ m}) \sin(1.0 \text{ m}^{-1} x + (30 \text{ s}^{-1})t]$  propagates on a stretched string having a linear mass density of  $1.2 \times 10^{-4} \text{ kg m}^{-1}$ . Find the tension in the string.

**Solution:** A transverse wave described by  $y = (0.02 \text{ m}) \sin(1.0 \text{ m}^{-1} x + (30 \text{ s}^{-1})t]$

$$\text{Speed} = v = \omega/k$$

$$\text{here, } \omega = 30 \text{ sec}^{-1} \text{ and } k = 1 \text{ m}^{-1}$$

$$\Rightarrow v = 30 \text{ m/s}$$

$$\text{But } T = \rho v^2$$

$$= 1.2 \times 90 \times 10^{-4} \text{ N}$$

$$\text{or } T = 0.108 \text{ N}$$

**Question 19:** A travelling wave is produced on a long horizontal string by vibrating and end up and down sinusoidally. The amplitude of vibration is 1.0 cm and the displacement becomes zero 200 times per second. The linear mass density of the string is  $0.10 \text{ kg m}^{-1}$  and it is kept under a tension of 90 N.

(a) Find the speed and the wavelength of the wave.

(b) Assume that the wave moves in the position x-direction and at  $t = 0$ , the end  $x = 0$  is at its positive extreme position. Write the wave equation.

(c) Find the velocity and acceleration of the particle at  $x = 50 \text{ cm}$  at time  $t = 10 \text{ ms}$ .

**Solution:**

Amplitude =  $A = 1 \text{ cm}$ , tension =  $T = 90 \text{ N}$ , frequency =  $f = 200/2 = 100 \text{ Hz}$  and mass =  $m = 0.1 \text{ kg/m}$

(a)

$$v = \sqrt{T/\rho}$$

$$= \sqrt{90/0.1} = 30 \text{ m/s}$$

Again,  $v = \lambda f = 30 \text{ cm}$

(b)  $y = 10 \cos 2\pi[x/30 - t/0.01]$

At  $t = 0$  and  $x = 0$ , it has maxima, consists a phase of  $\pi/2$

$$\Rightarrow y = (1) \sin[2\pi x/30 - 2\pi t/0.01 + \pi/2]$$

the required equation is,  $y = (1) \cos[2\pi x/30 - 2\pi t/0.01]$

(c) The velocity of the particle,

$$y' = -(1) (2\pi/0.01) \sin[2\pi x/30 - 2\pi t/0.01]$$

At  $x = 50 \text{ cm}$  and  $t = 10 \text{ s}$

$$y' = -5.4 \text{ m/s}$$

Now the acceleration is :

$$y'' = -(1) (2\pi/0.01)^2 \cos[2\pi x/30 - 2\pi t/0.01]$$

At  $x = 50$  cm and  $t = 10$  s

$$y'' = 2 \text{ km/s}^2$$

**Question 20:** A string of length 40 cm and weighing 10 g is attached to a spring at one end and to a fixed wall at the other end. The spring has a spring constant of  $160 \text{ N m}^{-1}$  and is stretched by 1.0 cm. If a wave pulse is produced on the string near the wall, how much time will it take to reach the spring?

**Solution:**

Here  $l = 40$  cm , spring constant =  $k = 160 \text{ N/m}$  and mass = 10 g

Mass per unit length =  $m = 10/40 = (1/4) \text{ g/cm}$

Now, deflection =  $x = 1 \text{ cm} = 0.01 \text{ m}$

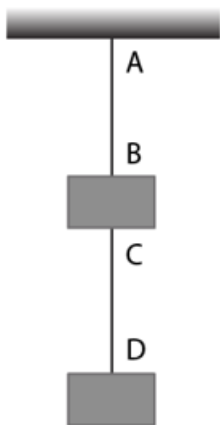
$$\Rightarrow T = kx = 1.6 \text{ N} = 16 \times 10^4 \text{ dyne}$$

$$\text{Also, } v = \sqrt{T/m} = 8 \times 10^2 \text{ cm/s} = 800 \text{ cm/s}$$

Therefore, time taken by the pulse to reach the spring:

$$t = 40/800 = 0.05 \text{ sec}$$

**Question 21:** Two blocks each having a mass of 3.2 kg are connected by a wire CD and the system is suspended from the ceiling by another wire AB (figure below). The linear mass density of the wire AB is  $10 \text{ g m}^{-1}$  and that of CD is  $8 \text{ g m}^{-1}$ . Find the speed of a transverse wave pulse produced in AB and in CD.



**Solution:**

Force due to gravity on AB:

$$T_{AB} = (3.2 + 3.2)9.8 \text{ N} = 62.72 \text{ N}$$

Force due to gravity on CD:

$$T_{CD} = 3.2 \times 9.8 = 31.36 \text{ N}$$

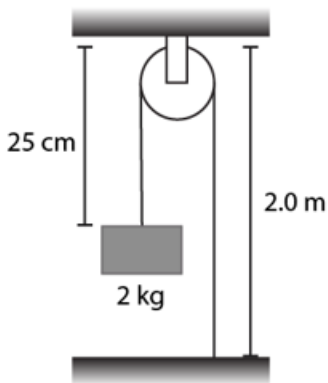
The velocities are:

$$v_{AB} = \sqrt{T_{AB}/\rho_{AB}} = 79 \text{ m/s}$$

and

$$v_{CD} = \sqrt{T_{CD}/\rho_{CD}} = 63 \text{ m/s}$$

**Question 22:** In the arrangement shown in figure (below), the string has a mass of 4.5 g. How much time will it take for a transverse disturbance produced at the floor to reach the pulley? Take  $g = 10 \text{ m s}^{-2}$ .



**Solution:**

$$\text{Mass density} = \rho = (0.0045/2.25) \text{ kg/m}$$

$$\text{force on the string} = T = 20 \text{ N}$$

$$\text{Now, speed of the wave} = v = \sqrt{T/\rho} = 100 \text{ m/s}$$

$$\text{Therefore, time taken} = t = 2.25/100 = 0.02 \text{ sec}$$

**Question 23:** A 4.0 kg block is suspended from the ceiling of an elevator through a string having a linear mass density of  $19.2 \times 10^{-3} \text{ kg m}^{-1}$ . Find the speed (with respect to the string) with which a wave pulse can proceed on the string if the elevator accelerates up at the rate of  $2.0 \text{ m s}^{-2}$ . Take  $g = 10 \text{ m s}^{-2}$ .

**Solution:**

$$T = ma + mg = (4 \times 2 + 4 \times 10) = 48 \text{ N}$$

$$\text{And, speed} = v = \sqrt{T/\rho} = 50 \text{ m/s}$$

**Question 24:** A heavy ball is suspended from the ceiling of a motor car through a light string. A transverse pulse travels at a speed of  $60 \text{ cm s}^{-1}$  on the string when the car is at rest and  $62 \text{ cm s}^{-1}$  when the car accelerates on a horizontal road. Find the acceleration of the car. Take  $g = 10 \text{ m s}^{-2}$ .



**Solution:**

$$\text{Tension} = T = mg$$

$$\text{Speed} = v_1 = \sqrt{mg/\rho}$$

At motion:

$$\text{Tension} = T = m\sqrt{a^2 + g^2}$$

$$\text{Speed} = v_2 = \sqrt{[(m\sqrt{a^2 + g^2})/\rho]}$$

Now,

$$\frac{v_2}{v_1} = \frac{\sqrt{\frac{m\sqrt{a^2 + g^2}}{\rho}}}{\sqrt{\frac{mg}{\rho}}}$$

$$\left(\frac{v_2}{v_1}\right)^4 = \frac{a^2 + g^2}{g^2}$$

$$g^2 A = a^2 + g^2; \left(\frac{v_2}{v_1}\right)^4 = A$$

$$\text{or } (A - 1)g^2 = a^2$$

$$a^2 = 0.140 \times 100$$

$$\text{or } a = 3.74 \text{ m/s}^2$$

**Question 25:** A circular loop of string rotates about its axis on a frictionless horizontal plane at a uniform rate so that the tangential speed of any particle of the string is  $u$ . If a small transverse disturbance is produced at a point of the loop, with what speed (relative to the string) will this disturbance travel on the string?

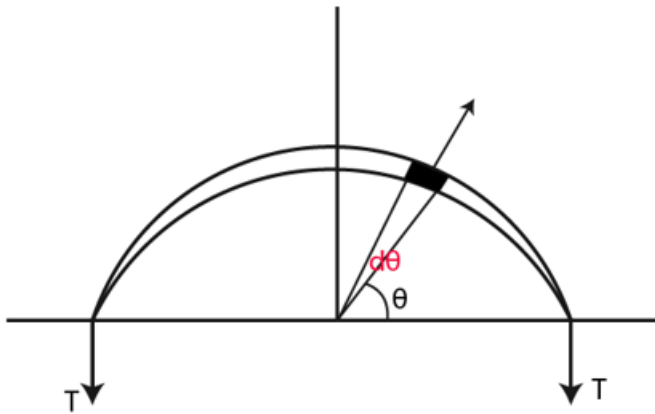
**Solution:**

$R$  = Radius of the loop,  $m$  = mass per unit length of the string

$\omega$  = angular velocity,  $V$  = linear velocity of the string

The force for a small portion in the ring:

$$dF = (mRd\theta)\omega^2 R$$



$$dF = 2 (mRd\theta)\omega^2 R \sin \theta$$

$$F = \int_0^{\frac{\pi}{2}} 2(m R d\theta)\omega^2 R \sin \theta$$

$$\text{or } F = 2mR^2 \omega^2$$

But whole of this process was for half of the ring:

$$2T = 2mR^2 \omega^2$$

$$\text{Or } T = mR^2 \omega^2$$

Now, velocity,  $v = \sqrt{T/m} = R\omega$

Which is the speed of the disturbance.

**Question 26:** A heavy but uniform rope of length  $L$  is suspended from a ceiling. (a) Write the velocity of a transverse wave travelling on the string as a function of the distance from the lower end. (b) If the rope is given a sudden sideways jerk at the bottom, how long will it take for the pulse to reach the ceiling? (c) A particle is dropped from the ceiling at the instant the bottom end is given the jerk. Where will the particle meet the pulse?

**Solution:**

(a) Downward weight for the element =  $(mx)g$  = Tension in the string of upper part

velocity of transverse vibration =  $v = \sqrt{T/m} = \sqrt{(mg/m)} = \sqrt{gx}$

(b) For small displacement  $dx$ ,  $dt = dx/\sqrt{gx}$

Total time:

$$\int_0^T dt = \frac{1}{\sqrt{g}} \int_0^L \frac{dx}{\sqrt{x}}$$

$$= \sqrt{4L/g}$$

(c) Suppose, it will meet the pulse after  $y$  distance.

To get the in between time, we integrate,

$$\int_0^t dt = \frac{1}{\sqrt{g}} \int_0^y \frac{dx}{\sqrt{x}}$$

$$t = \sqrt{4 \frac{y}{g}}$$

Therefore, distance travelled by the particle in this time is  $(L-y)$

We know the relation,  $S = ut + (1/2)gt^2$

$$\Rightarrow L - y(1/2)g \times \sqrt{4y/g}^2 \text{ at } u = 0$$

$$\Rightarrow L - y = 2y$$

$\Rightarrow y = L/3$ , which shows that, the particle meet at distance  $L/3$  from the lower end.

**Question 27:** Two long strings A and B, each having linear mass density  $12 \times 10^{-2} \text{ kg m}^{-1}$ , are stretched by different tensions 48 N and 75 N respectively and are kept parallel to each other with their left ends at  $x = 0$ . Wave pulses are produced on the strings at the

left ends at  $t = 0$  on string A and at  $t = 20$  ms on string B. When and where will the pulse on B overtake that on A?

**Solution:**

Suppose  $v$  and  $v'$  are wave speeds in string A and B respectively.

$$T = 4.8 \text{ and } m = 1.2 \times 10^{-2} \text{ and } T' = 7.5$$

Now,

$$v = \sqrt{T/m} = 20 \text{ m/s and}$$

$$v' = \sqrt{T'/m} = 25 \text{ m/s}$$

$t = 0$  in string A,

$$t_1 = 0 + 20 \text{ ms} = 20 \times 10^{-3} = 0.02 \text{ sec}$$

In 0.02 sec A has travelled  $20 \times 0.02 = 0.4$  m

relative speed between A and B =  $25 - 20 = 5$  m/s

Time taken for B for overtake A =  $s/v = 0.4/5 = 0.08$  sec

**Question 28:** A transverse wave of amplitude 0.50 mm and frequency 100 Hz is produced on a wire stretched to a tension of 100 N. If the wave speed is  $100 \text{ m s}^{-1}$ , what average power is the source transmitting to the wire?

**Solution:**

$$\text{Average power of the source} = P = 2\pi^2 mva^2 f^2 \dots (1)$$

$$v = \sqrt{T/m} = 100 \text{ m/s and } m = 0.01 \text{ kg/m}$$

$$r = 0.5 \times 10^{-3} \text{ and } f = 100$$

(Given)

On substituting the values, (1)  $\Rightarrow P = 49 \text{ mW}$

**Question 29:** A 200 Hz wave with amplitude 1 mm travels on a long string of linear mass density  $6 \text{ g m}^{-1}$  kept under a tension of 60 N. (a) Find the average power transmitted

across a given point on the string.

(b) Find the total energy associated with the wave in a 20 m long portion of the string.

**Solution:**

Here  $A = 1 \text{ mm} = 10^{-3} \text{ m}$ ,  $m = 6 \text{ g/m} = 6 \times 10^{-3} \text{ kg/m}$

$F = 200 \text{ Hz}$  and  $T = 60 \text{ N}$

(a) Average power of the source =  $P = 2\pi^2 m v A^2 f^2 = 0.47 \text{ W}$

(b) Length of string = 2m

And  $t = 2/100 = 0.02 \text{ sec}$

So, Energy =  $2\pi^2 m v t A^2 f^2 = 9.46 \text{ mJ}$

**Question 30:** A tuning fork of frequency 440 Hz is attached to a long string of linear mass density  $0.01 \text{ kg m}^{-1}$  kept under a tension of 49 N. The fork produces transverse waves of amplitude 0.50 mm on the string.

(a) Find the wave speed and the wavelength of the waves.

(b) Find the maximum speed and acceleration of a particle of the string.

(c) At what average rate is the tuning fork transmitting energy to the string?

**Solution:** Given,  $m = 0.01 \text{ kg/m}$ ,  $T = 49 \text{ N}$ ,  $r = 0.5 \times 10^{-3} \text{ m}$  and  $f = 440 \text{ Hz}$

(a) Let the wavelength of the wave be  $\lambda$ .

Speed of the transverse wave =  $v = \sqrt{T/m} = \sqrt{49/0.01} = 70 \text{ m/s}$

Also,  $v = f/\lambda$

or  $\lambda = f/v = 70/440 = 16 \text{ cm}$

(b)  $y = A \sin(\omega t - kx)$

Therefore,  $v = dy/dt = A\omega \cos(\omega t - kx)$

Now,

$v_{\text{max}} = (dy/dt) = A\omega$

$= (0.50) \times 10^{-3} \times 2\pi \times 440$

$$= 1.381 \text{ m/s}$$

and

$$a = d^2y/dt^2$$

$$\Rightarrow a = -A\omega^2 \sin(\omega t - kx)$$

$$a_{\max} = -A\omega^2$$

$$= 0.50 \times 10^{-3} \times 4\pi^2 \times 440^2$$

$$= 3.8 \text{ km/s}^2$$

(c) Average rate =  $p = 2\pi^2 v A^2 f^2$

$$= 2 \times 10 \times 0.01 \times 70 \times (0.50 \times 10^{-3})^2 \times 440^2$$

$$= 0.67 \text{ W}$$

**Question 31:** Two waves, travelling in the same direction through the same region, have equal frequencies, wavelengths and amplitudes. If the amplitudes of each wave is 4 mm and the phase difference between the waves is  $90^\circ$ , what is the resultant amplitude?

**Solution:** Consider equation of waves:

$$y' = r \sin \omega t \text{ and } y'' = r \sin (\omega t + \pi/2)$$

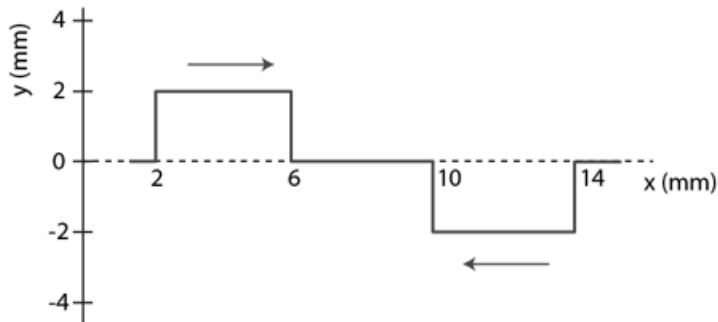
Now,  $y = y' + y''$

$$y = r \left[ 2 \left( \sin \frac{2\omega t + \frac{\pi}{2}}{2} \right) \left( \cos - \frac{\pi}{\omega} \right) \right]$$

Or  $y = \sqrt{2} r \sin(\omega t + \pi/4)$

The amplitude is  $4\sqrt{2} \text{ mm}$

**Question 32:** Figure (below) shows two wave pulses at  $t = 0$  travelling on a string in opposite directions with the same wave



**Solution:**

Distance travelled by any classical wave =  $s = vt$

At  $t = 4 \Rightarrow s = 4 \times 10^{-3} \times 50 \times 10 = 2 \text{ mm}$

At  $t = 6 \Rightarrow s = 6 \times 10^{-3} \times 50 \times 10 = 3 \text{ mm}$

At  $t = 8 \Rightarrow s = 8 \times 10^{-3} \times 50 \times 10 = 4 \text{ mm}$

At  $t = 12 \Rightarrow s = 12 \times 10^{-3} \times 50 \times 10 = 6 \text{ mm}$

**Question 33:** Two waves, each having a frequency of 100 Hz and a wavelength of 2.0 cm, are travelling in the same direction on a string. What is the phase difference between the waves

- if the second wave was produced 0.015 s later than the first one at the same place,
- if the two waves were produced at the same instant but the first one was produced a distance 4.0 cm behind the second one?
- If each of the waves has an amplitude of 2.0 mm, what would be the amplitudes of the resultant waves in part (a) and (b)?

**Solution:**

(a) Wave speed = wave length  $\times$  wave frequency

$$v = 100 \times 0.02 = 2 \text{ m/s}$$

In 0.015 sec, the path travelled by wave,

$$x = 0.015 \times 2 = 0.03 \text{ m}$$

The phase difference:

$$\phi = (2\pi x)/\lambda = (2\pi)/0.02 \times 0.03 = 3\pi$$

(b) Again, for path difference,  $x = 0.04 \text{ m}$

$$\phi = 4\pi$$

(c) Two waves have same amplitude if their frequency and wavelength are same.

Now, consider two wave equations,  $y' = r \sin \omega t$  and  $y'' = r \sin (\omega t + \phi)$

$$\Rightarrow y = y' + y''$$

$$= 2r \sin (\omega t + \phi/2)\cos (\phi/2)$$

Therefore, resultant amplitude,  $A = 2r \cos(\phi/2)$

$$\text{For } A = 0, \phi = 3\pi$$

$$\text{For } A = 4, \phi = 4\pi$$

**Question 34:** If the speed of a transverse wave on a stretched string of length 1 m is 60 m s<sup>-1</sup>, what is the fundamental frequency of vibration?

**Solution:**

$$\text{Fundamental frequency} = f = v/2L = 30 \text{ Hz}$$

**Question 35:** A wire of length 200 m is stretched to a tension of 160 N. If the fundamental frequency of vibration is 100 Hz, find its linear mass density.

**Solution:**

$$\text{Fundamental frequency} = f = v/2L = 1/2L \times \sqrt{(T/m)} = 1 \text{ g/m}$$



**Question 36:** A steel wire of mass 40 g and length 80 cm is fixed at the two ends. The tension in the wire is 50 N. Find the frequency and wavelength of the fourth harmonic of the fundamental.

**Solution:**

$$\text{Fundamental frequency} = f = v/2L = 1/2L \times v(T/m) = 62.5 \text{ Hz}$$

$$\text{frequency of 4th harmonic} = F_4 = 4 \times 62.5 = 250 \text{ Hz}$$

$$\text{Now, } v = F_4 \lambda_4$$

$$\text{or } \lambda_4 = 250/v = 40 \text{ cm}$$

**Question 37:** A piano wire weighing 6.0 g and having a length of 90.0 cm emits a fundamental frequency corresponding to the “Middle C” ( $v = 261.63 \text{ Hz}$ ). Find the tension in the wire.

**Solution:**

$$\text{Fundamental frequency} = f = (1/2L)v(T/m)$$

$$\text{or } f = v/150 T$$

$$\text{Also, } f = 261.63 \text{ Hz (given)}$$

$$\Rightarrow 261.63 = v/150 T$$

$$\Rightarrow T = 1480 \text{ N (approx.)}$$

**Question 38:** A sonometer wire having a length of 1.50 m between the bridges vibrates in its second harmonic in resonance with a tuning fork of frequency 256 Hz. What is the speed of the transverse wave on the wire?

**Solution:**

Fundamental frequency of First Harmonic =  $256/2 = 128 \text{ Hz}$

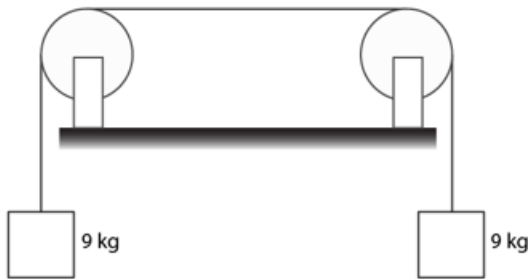
Here, Second harmonic =  $2 \times \text{First Harmonic}$

When the fundamental wave is produced,  $\lambda/2 = 1.5$

$$\Rightarrow \lambda = 3 \text{ m}$$

speed of the wave =  $f \lambda = 128 \times 3 = 384 \text{ m/s}$

**Question 39:** The length of the wire shown in figure (below) between the pulley is 1.5 m and its mass is 12.0 g. Find the frequency of vibration with which the wire vibrates in two loops leaving the middle point of the wire between the pulleys at rest.



**Solution:**

Mass of the wire = 12 gm

Length of the wire between two pulleys ( $L$ ) = 1.5 m

so, Mass per unit length =  $m = (12/1.5) \text{ g/m} = 8 \times 10^{-3} \text{ kg/m}$

Tension in the wire =  $T = 9g = 90 \text{ N}$

Now, Fundamental frequency =  $f' = (1/2L) \sqrt{T/m}$

Second harmonic =  $2(\text{First Harmonic})$

$$\Rightarrow f = 2 f' = (1/1.5) \times \sqrt{90/8 \times 10^{-3}}$$

$$= 70.7 \text{ Hz}$$

**Question 40:** A one-metre long stretched string having a mass of 40 g is attached to a tuning fork. The fork vibrates at 128 Hz in a direction perpendicular to the string. What should be the tension in the string if it is to vibrate in four loops?

**Solution:**

Using relation,  $L = n\lambda/2$

Here  $n = 4$  and  $L = 1$  m

$$\Rightarrow \lambda = 0.5$$

Also,  $v = f\lambda = \sqrt{T/m}$

$$\Rightarrow T = f^2\lambda^2 m = 128^2 \times 0.5^2 \times 40 \times 10^{-3}$$

$$= 164 \text{ N}$$

**Question 41:** A wire, fixed at both ends is seen to vibrate at a resonant frequency of 240 Hz and also at 320 Hz.

(a) What could be the maximum value of the fundamental frequency?

(b) If transverse waves can travel on this string at a speed of  $40 \text{ m s}^{-1}$ , what is its length?

**Solution:**

(a) Two frequencies are  $\nu_1 = 240$  Hz and  $\nu_2 = 320$  Hz

So, Maximum fundamental frequency =  $\nu_2 - \nu_1$   
 $= 320 - 240 = 80$  Hz

(b) Given  $v = 40$  m/s

$$\Rightarrow L \times 80 = 0.5 \times 40$$

$$\Rightarrow L = 0.25 \text{ m}$$

**Question 42:** A string, fixed at both ends, vibrates in a resonant mode with a separation of 2.0 cm between the consecutive nodes. For the next higher resonant frequency, this separation is reduced to 1.6 cm. Find the length of the string.

**Solution:**

Let  $n$  be the frequency,  $L$  is length of the string and  $\lambda$  be the distance between two consecutive nodes.

Therefore,  $L = n\lambda$

for next higher frequency, say  $(n+1)$  the distance between two consecutive nodes is  $\lambda'$ , then

$$L = (n+1)\lambda'$$

Equating Equations, we get

$$n\lambda = (n+1)\lambda'$$

$$\text{or } \lambda' = n(\lambda - \lambda')$$

Here  $\lambda = 2$  cm and  $\lambda' = 1.6$  cm

On putting values,

$$n = 4$$

$$\Rightarrow L = 4 \times 2 = 8 \text{ cm}$$

**Question 43:** A 660 Hz tuning fork sets up vibration in a string clamped at both ends. The wave speed for a transverse wave on this string is  $220 \text{ m s}^{-1}$  and the string vibrates in three loops.

(a) Find the length of the string.

(b) If the maximum amplitude of a particle is 0.5 cm, write a suitable equation describing the motion.

**Solution :**

$$f = 660 \text{ Hz and } v = 220 \text{ m/s}$$

$$\text{Wave length} = \lambda = v/f = 1/3 \text{ m}$$

(a) Number of loops =  $n = 3$

$$\text{Therefore, } L = (n\lambda)/2 = (3/2) \times (1/3) = 1/2 \text{ m} = 50 \text{ cm}$$

(b) resultant wave equation

$$y = 2A \cos \frac{2\pi x}{\lambda} \sin \frac{2\pi ft}{\lambda}$$

$$y = (0.5) \sin[(0.06\pi \text{ cm}^{-1})x] \cos[(1320\pi \text{ s}^{-1})t]$$

[On Substituting the values of  $\lambda, f$  and  $A$ ]

**Question 44:** A particular guitar wire is 30.0 cm long and vibrates at a frequency of 196 Hz when no finger is placed on it. The next higher notes on the scale are 220 Hz, 247 Hz, 262 Hz and 294 Hz. How far from the end of the string must the finger be placed to play these notes?

**Solution:**

We know that,  $f \propto 1/l$  or  $f = v/l$  (where  $v = \text{constant for a medium}$ )

$$l_1 = 30 \text{ cm or } 0.3 \text{ m (given)}$$

$$f_1 = 196 \text{ Hz and } f_2 = 220 \text{ Hz (given)}$$

$$\text{Now, } f_1/f_2 = l_2/l_1$$

$$\Rightarrow l_2 = 26.7 \text{ cm}$$

$$\text{Again, } f_3 = 247 \text{ Hz}$$

$$\text{so, } f_3/f_1 = l_1/l_3 = 0.3/l_3$$

$$\Rightarrow l_3 = 0.224 \text{ m} = 22.4 \text{ cm}$$

in same way, we have  $l_4 = 20 \text{ cm}$

**Question 45:** A steel wire fixed at both ends has a fundamental frequency of 200 Hz. A person can hear sound of maximum frequency 14 kHz. What is the highest harmonic that can be played on this string which is audible to the person?

**Solution:**

Fundamental frequency =  $f_0 = 200 \text{ Hz}$

$n$ th harmonic =  $f' = n \times$  fundamental frequency

and frequency of the highest harmonic =  $14 \text{ kHz} = 14000 \text{ Hz}$

$$\text{Now, } f'/f_0 = 14000/200$$

$$nf_0/f_0 = 70$$

$$\Rightarrow n = 70$$

The highest audible to man is 70th harmonic.

**Question 46:** Three resonant frequencies of the string are 90, 150 and 210 Hz. (a) Find the highest possible fundamental frequency of vibration of this string.

(b) Which harmonics of the fundamental are the given frequencies?

(c) Which overtones are these frequencies?

(d) If The length of the string is 80 cm, what would be the speed of a transverse wave on this string?

**Solution:**

(a) gcd of 90,150 and 210 is 30

So,  $f = 30 \text{ Hz}$

(b) Let  $f_1$ ,  $f_2$  and  $f_3$  are Three resonant frequencies of the string.

$$f_1 = 3f, f_2 = 5f \text{ and } f_3 = 7f$$

(c)  $n$ th overtone is  $(n+1)$ th frequency.

So,  $3f$  is 2nd overtone and 3rd harmonic.

$5f$  is 4th overtone and 6th harmonic.

and  $7f$  is 6th overtone and 7th harmonic.

(d) We know,  $f_1 = (3/2)v$

so,  $90 = (3/2 \times 80) k$

$\Rightarrow k = 48 \text{ m/s}$

**Question 47:** Two wires are kept right between the same pair of supports. The tensions in the wires are in the ratio 2:1, the radii are in the ratio 3:1 and the densities are in the ratio 1 : 2. Find the ratio of their fundamental frequencies.

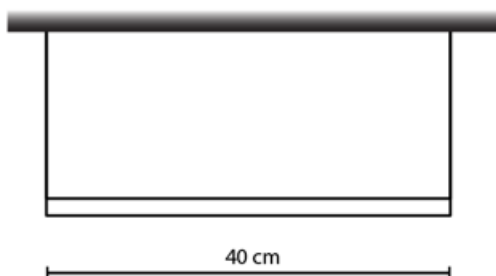
**Solution:** The ratio of mass per unit length of the wires:

$$\rho_1/\rho_2 \times r_1^2/r_2^2 = (1/2) \times (9/1) = 9/2$$

Fundamental frequency of wire =  $(1/2l) \sqrt{T/\mu}$

Thus,  $f_1/f_2 = 2:3$

**Question 48:** A uniform horizontal rod of length 40 cm and mass 1.2 kg is supported by two identical wires as shown in figure (below). Where should a mass of 4.8 kg be placed on the rod so that the same tuning fork may excite the wire on left into its fundamental vibrations and that on right into its first overtone? Take  $g = 10 \text{ m s}^{-2}$ .



**Solution:**

We know,  $f = (1/2L) \sqrt{T/m}$

Given,  $f_d = 2f_2$

SO,  $\sqrt{T_1/T_2} = 2$

Now,  $T_1 + T_2 = 48 + 12 = 60 \text{ N}$

By replacing the relations,  $T_1 = 48 \text{ N}$  and  $T_2 = 12 \text{ N}$

Taking moment about a point,  $T_2 \times 0.4 = 48x + 12(0.2)$   
on solving above equation, we have  $x = 5 \text{ cm}$

Therefore, mass should be placed at a distance 5cm from the left end.

**Question 49:** Figure (below) shows an aluminium wire of length 60 cm joined to the steel wire of length 80 cm and stretched between two fixed supports. The tension produced is 40 N. The cross-sectional area of the steel wire is  $1.0 \text{ mm}^2$  and that of the aluminium wire is  $3.0 \text{ mm}^2$ . What could be the minimum frequency of a tuning fork which can produce standing waves in the system with joint as a node? The density of aluminium is  $2.6 \text{ g cm}^{-3}$  and that of steel is  $7.8 \text{ g cm}^{-3}$ .



**Solution:**

Calculate the mass per unit length of aluminium and steel wire using given values.

We know,  $\rho = M/V$

$M/l = \rho A$

Here,  $m = M/l$



so,  $m = \rho A$

For aluminium:

Put the value into the formula

$$m_a = 2.6 \times 3 \times 10^{-2} = 7.8 \times 10^{-2} \text{ g/cm}$$

For steel:

$$m_s = 7.8 \times 10^{-2} \text{ g/cm}$$

Now,  $v = \sqrt{T/m}$

Here,  $T = 40 \text{ N}$  and  $m = 7.8 \times 10^{-2} \text{ g/cm}$

$$\Rightarrow v = 71.6 \text{ m/s}$$

For minimum frequency, there would be maximum wavelength. And, for maximum wavelength, minimum number of loops are to be produced.

$$\text{Wavelength} = \lambda = 2d = 2 \times 20 = 40 \text{ cm}$$

The minimum frequency of a tuning fork :

$$f = v/\lambda$$

Given  $v = 71.6 \text{ m/s}$  and  $\lambda = 0.4 \text{ m}$

$$\Rightarrow f = 179 \text{ Hz}$$

**Question 50:** A string of length  $L$  fixed at both ends vibrates in its fundamental mode at a frequency  $\nu$  and a maximum amplitude  $A$ .

(a) Find the wavelength and the wave number  $k$ .

(b) Take the origin at one end of the string and the X-axis along the string. Take the Y-axis along the direction of the displacement. Take  $t = 0$  at the instant when the middle point of the string passes through its mean position and is going towards the positive y-direction. Write the equation describing the standing wave.

**Solution:**

Let  $L$  be the length of string.

Velocity of wave =  $v = \sqrt{T/m}$

(a) wavelength =  $\lambda = \text{velocity/frequency}$

$$\Rightarrow \lambda = \sqrt{T/m} \times 1/[(1/2L)\sqrt{T/m}] = 2L$$

Now, wave number =  $k = 2\pi/\lambda$

$$= 2\pi/2L = \pi/L$$

(b) Equation of the stationary wave:

$$y = A \cos(2\pi x/\lambda) \sin(2\pi vt/\lambda)$$

As,  $v = V/2L$

$$\Rightarrow y = A \cos(\pi x/L) \sin(2\pi vt)$$

**Question 51:** A 2 m-long string fixed at both ends is set into vibrations in its first overtone. The wave speed on the string is  $200 \text{ m s}^{-1}$  and amplitude is 0.5 cm. (a) Find the wavelength and the frequency. (b) Write the equation giving the displacement of different points as a function of time. Choose the  $x$ -axis along the string with the origin at one end and  $t = 0$  at the instant when the point  $x = 50 \text{ cm}$  has reached its maximum displacement.

**Solution:**

(a) Vibrating in first overtone means,  $n=2$

We know,  $L = n\lambda/2$

here,  $\lambda = L = 2 \text{ m}$

Again,  $f = v/\lambda = 100 \text{ Hz}$

(b) Suppose, the stationary wave equation:

$$\begin{aligned}
 y &= 2A \cos(2\pi x/\lambda) \sin(2\pi vt/\lambda) \\
 &= 0.5 \cos(2\pi x/2) \sin(2\pi(200)t/\lambda) \\
 &= 0.5 \cos[(\pi \text{m}^{-1})x] \sin[(200)\pi \text{s}^{-1}t]
 \end{aligned}$$

**Question 52:** The equation for the vibration of a string, fixed at both ends vibrating in its third harmonic, is given by

$$y = (0.4 \text{ cm}) \sin[(0.314 \text{ cm}^{-1})x] \cos[(600\pi \text{ s}^{-1})t]$$

- What is the frequency of vibration?
- What are the positions of the nodes?
- What is the length of the string?
- What is the wavelength and the speed of two travelling waves that can interface to give this vibration?

**Solution:**

The stationary wave equation

$$y = (0.4 \text{ cm}) \sin[(0.314 \text{ cm}^{-1})x] \cos[(600\pi \text{ s}^{-1})t]$$

(a) frequency of vibration:

$$\omega = 600\pi$$

$$\text{So, } 2\pi f = 600\pi$$

$$\Rightarrow f = 300 \text{ Hz}$$

(b) positions of the nodes:

$$\sin(0.314x) = 0$$

$$\Rightarrow 0.314x = k\pi = k \times 3.14$$

$$\Rightarrow x = 10k$$

Nodes are at 0, 10 cm, 20 cm and 30 cm.

(c) length of the string:

$$\text{Length} = 3\lambda/2 = 3 \times 10 = 30 \text{ cm}$$

(d) the wavelength and the speed of two travelling waves that can interface to give this vibration

$$\text{wave equation} = y = (0.4 \text{ cm}) \sin[0.314 x] \cos(600\pi t)$$

$$\Rightarrow \lambda = 20 \text{ cm}$$

$$\text{So, } v = \omega/k = 6000 \text{ m/s} = 60 \text{ m/s}$$

**Question 53:** The equation of a standing wave, produced on a string fixed at both ends, is

$$y = (0.4 \text{ cm}) \sin(0.314 \text{ cm}^{-1}x) \cos[(600\pi \text{ s}^{-1})t].$$

What could be the smallest length of the string?

**Solution:** Equation of standing wave

$$y = (0.4 \text{ cm}) \sin(0.314 \text{ cm}^{-1}x) \cos[(600\pi \text{ s}^{-1})t].$$

$$\text{Here, } K = 0.314 = \pi/10$$

$$\text{We know, } \lambda = 2\pi/K = 20 \text{ cm}$$

$$\text{Now, } L = (n\lambda/2)$$

For smallest length,  $n = 1$

$$\Rightarrow L = 20/2 = 10 \text{ cm}$$

**Question 54:** A 40 cm wire having a mass of 3.2 g is stretched between two fixed supports 40.05 cm apart. In its fundamental mode, the wire vibrates at 220 Hz. If the area of cross section of the wire is  $1.0 \text{ mm}^2$ , find its Young modulus.

**Solution:**

$$\text{Strain} = \Delta l/l = 0.125 \times 10^{-2} \text{ and } f = 1/2L \sqrt{T/m}$$

$$\Rightarrow T = 248.19 \text{ N}$$

$$\text{Now, stress} = \text{Tension/Area} = 248.19 \times 10^6$$

$$\text{Therefore, Young modulus} = \text{stress/strain} = 19852 \times 10^8 \text{ N/m}^2$$

