

## Solutions

1. Ans. C  
India's very own Global Positioning System (GPS) which is set to hit the market for public use in early 2018 is known as the 'Indian Regional Navigation Satellite System' (IRNSS). Its operational name is NAVIC.
2. Ans. A  
The 'Dalong Village' covering an area of 11.35 sq. km. has recently (May 2017) been declared as Biodiversity Heritage site under Section 37 (I) of Biological Diversity Act, 2002. The village is situated in Manipur.
3. Ans. D  
The 'Almatti Dam' is a hydroelectric project on the Krishna River in Karnataka.
4. Ans. B  
Telangana has recently launched its official 'T-wallet' offering anytime anywhere platform for digital payments with an additional charge for the citizens.
5. Ans. D  
Cooperative Banks are not allowed to accept deposits under 'Pradhan Mantri Garib Kalyan Deposit Scheme' (PMGKDS) 2016.
6. Ans. D  
A banking outlet is one which opens for at least five days a week for at least four hours a day.
7. Ans. A  
Stocks are not a debt instrument. All others like Debentures, Bonds, Mortgages and Promissory note are all debt instrument.
8. Ans. A  
The working and activity of NBFCs are registered by the Reserve Bank of India within the framework of the Reserve Bank of India Act, 1934.
9. Ans. E  
The Union Home Minister, Shri Rajnath Singh has recently (May 2017) released the book 'India 2017: Yearbook'. The book is authored by Shri Rajiv Mehrishi.
10. Ans. E  
'Sonai Rupai Wildlife Sanctuary' is situated in Assam.
11. Ans. D  
The 2017 'North Atlantic Treaty Organization '(NATO) Summit was (May 2017) held in Brussels, Belgium.
12. Ans. B  
The 'CGFMU' is a Credit guarantee Fund established for guaranteeing loans sacrificed under the PMMY Scheme (Pradhan Mantri Mudra Yojana).
13. Ans. B  
The 'Federation of Indian Chamber of Commerce and Industries' (FICCI) Smart Policing Award for the year 2017 has (May 2017) been conferred upon Pune City Police.
14. Ans. C  
Bharat QR is an integrated payment system which uses the customer's Smart or Credit Card by scanning a code of the merchant's place.
15. Ans. E  
Disha Microfine Private Limited has (May 2017) received the final approval from the Reserve bank of India to commerce Small Finance Banks.
16. Ans. B  
With an intention of increasing Digital transactions, the Reserve bank of India has permitted co-operative banks to deploy their own or third-party point of sale terminals only if their net assets are more than 25 crores.
17. Ans. B  
'Kanwar Pal Singh Gill' who (May 2017) passed away at the age of 82 was a former Indian Police Officer.
18. Ans. D  
The currency of Republic of Maldives is Rufiyaa.
19. Ans. D  
A new cheaper, quicker & pollution-free 'soil-to-soil technology to manufacture 'biofuel' has recently (June 2017) been developed by researchers at IIT-Kharagpur.

20. Ans. E  
The 'European Extremely Large Telescope' which when completed will be the world's largest optical telescope is being set up on a 3,000-meter-high mountain in Atacama Desert in Chile.
21. Ans. C  
Asian Infrastructure Investment bank (AIIB) has recently approved a loan of USD 160 million for a power project in Andhra Pradesh.
22. Ans. E  
Payment solutions providers 'Oxigen Services' and 'PayU India' have been granted in-principle approval from Reserve Bank of India (RBI) to operate as Bharat Bill Payments Operating Unit.
23. Ans. C  
The archaeological site of the Paleolithic period, the 'Bhimbetka rock shelters' is situated in Madhya Pradesh.
24. Ans. E  
The 'Shri Shiv Chhatrapati Sports Complex' also known as Balewadi stadium, is situated in Pune, Maharashtra.
25. Ans. C  
The 'Cash and ATM Management Companies' are now not required to comply with the Private Security Agencies (Regulation) Act (PSARA). As a result, they may not be allowed to attract Foreign Direct Investment (FDI) up to 100%.
26. Ans. B  
At any one time, the minimum balance in a BSBDA Small Account should not exceed 50,000/- rupees.
27. Ans. A  
The Union Cabinet has recently approved the public testing of five state-owned general insurance companies and making the government's stake in them from 100% to 75%.
28. Ans. A  
In India, the Credit rating agencies are regulated by SEBI (Securities and Exchange Board of India).
29. Ans. C  
The Dadasaheb Phalke Academy Award in the newly introduced 'Internationally Acclaimed Actress' Category has recently been awarded to Priyanka Chopra.
30. Ans. B  
The HCL Asian Junior Tennis Championship 2017 was recently (29th May 2017-3rd June 2017) held in Pune, India.
31. Ans. D  
The Reserve Bank of India has advised banks to adhere to timelines prescribed for formulation and implementation of the 'CAP' by resolution of stressed loans. CAP stands for Corrective Action Plan. So, C stands for Corrective.
32. Ans. A  
The 1,980 MW 'Ghatampur Thermal power Project is proposed to be set up at an estimated cost of ` 17,237 crore in Uttar Pradesh.
33. Ans. E  
United Arab Emirates capital - Abu Dhabi
34. Ans. D  
The 'Singareni Collieries Company Limited' (SCCL) is a government-owned coal mining company in India. The company is jointly owned by the Government of India and Government of Telangana.
35. Ans. B  
The 'IRS' is a liquid financial derivative instrument which can be used to hedge against charges in Interest Rates.
36. Ans. A  
Punjab National Bank (PNB) has recently (May 2017) received USD 100 million as the first tranche of the USD 500 million multi-tranche finance facility for Solar Rooftop Investment Programme (SRIP) approved in 2016 by Asian Development Bank.
37. Ans. C  
According to the 2011 Census data, the sex ratio of the population in the country in 2011 stood at 940 females to 1000 males.

38. Ans. B  
During (May 2017) six-day four nation tour Prime Minister Narendra Modi visited "Madrid" the capital city of Spain.
39. Ans. B  
According to RBI guidelines, a scheduled commercial bank can own stake in a payments bank to the extent permitted under Section 19(2) of the Banking Regulation Act, 1949.
40. Ans. A  
World Population Day is observed on 11 July every year.
41. Ans. E  
The Ease of Doing Business (EODB) index is a ranking system established by the World Bank Group. In the EODB index, 'higher rankings' (a lower numerical value) indicate better, usually simpler, regulations for businesses and stronger protections of property rights.
42. Ans. C  
The Reserve Bank of India has been opening the bank license window only periodically. Under the 'on-tap' mechanism, however an application can be made at any time, subject to conditions.
43. Ans. C  
In a breakthrough in military aviation technology, its largest indigenously built transport aircraft Y-20, was inducted by China.
44. Ans. A  
The two-day 'G7 Summit 2017' was (May 2017) held in Italy.
45. Ans. A  
In order to move towards a cashless economy, the RBI has recently prohibited Non-Banking Finance Companies (NBFCs) from disbursing loans against gold for an amount over 20,000/- rupees.
46. Ans. C  
India's largest bridge, the 'Dhola-Sadiya Bridge' has recently (May 2017) been inaugurated by PM Shri Narendra Modi. The bridge in the Indian State of Assam is built over the Lohit river.
47. Ans. B  
The largest of White Label ATM Kiosks under the brand name 'Indicash' is owned and operated by Tata Communications Payment Solutions.
48. Ans. A  
Virat Kohli is the only Indian cricketer of the country to feature in the top 10 of the ICC player Rankings for ODIs on May 2017.
49. Ans. D  
Based on the UN Habitual Data, the World Economic Forum has recently named two Indian cities as the world's most crowded cities. The cities are Mumbai and Kota.
50. Ans. C  
'LAF' is a monetary policy instrument which allows banks to borrow money through repurchase agreements. The alphabet 'L' in the abbreviation 'LAF' stands for Liquidity Adjustment Facility.
51. Ans. D  
Aparna Popat is a famous Indian Badminton player.
52. Ans. C  
A nationwide campaign 'Darwaza Band' to promote use and freedom from open defecation across the villages of the country has recently been launched by the Ministry of Drinking Water and Sanitation.
53. Ans. A  
The Tarun Ramadorai panel set up by the Reserve Bank of India (RBI) has been tasked to look at the various facets of the Household finance in India.
54. Ans. C  
The 'Bandodkar Gold Trophy' is associated with Football.
55. Ans. A  
Bajrang Punia clinched a Gold medal in the 65 kg category in the 2017 Asian Wrestling Championships final recently.

56. Ans. D  
N. Chandrababu Naidu was selected as 'Transformative Chief Minister' by the US India Business Council recently.
57. Ans. D  
The repo rate is 6.25 % and marginal standing facility rate is 6.75% after RBI's bi-monthly monetary policy review on April 6, 2017.
58. Ans. E  
Certificate of Deposit, Commercial Bills, Bills of exchange and Treasury Bill are all money market instruments.
59. Ans. C  
The '2017 World Table Tennis Championships' was recently held in Germany.
60. Ans. D  
The statutory base for the Depositor Education and Awareness Fund (DEAF) constituted by the Reserve Bank of India is provided by Section 26 A of the Banking Regulation Act, 1949.
61. Ans. A  
Loveraj Singh is the first Indian mountaineer to summit Mount Everest a record six time.
62. Ans. C  
Money Markets provide liquidity for global financial system and capital markets make up financial market.
63. Ans. D  
The India Aspiration Fund (IAF) is a fund of funds that would invest in venture capital funds for meeting the capital requirement of MSME start-ups.
64. Ans. D  
Mukulita Vijayawargiya took charge as whole-time Member in Insolvency and Bankruptcy Board of India (IBBI).
65. Ans. B  
A security whose income payments and hence value are arrived from and assets is known as Asset backed security.
66. Ans. D  
'Equity-linked savings Scheme' (ELSS) are open-ended diversified equity schemes offered by Mutual Funds.
67. Ans. E  
India's first Small Finance Bank, the Capital Small Finance Bank' is headquartered in Jalandhar.
68. Ans. D  
NSDL stands for National Securities Depository Limited. D stands for Depository.
69. Ans. D  
The 'LTV ratio' is a financial term commonly used by lenders and building securities to express the ratio of a loan to the value of an asset purchased. The alphabet 'V' in the abbreviation 'LTV' stands for Loan to Value.
70. Ans. C  
India's first underwater metro rail tunnel has recently been completed under the Hooghly River.
71. Ans. B  
The recently launched 'Paytm Payments Bank' is permitted to open savings accounts where in customers shall be able to hold maximum amounts of up to 1,00,000/- rupees.
72. Ans. A  
The 'External Commercial Borrowing' (ECB) guidelines and policies are regulated and monitored by the Reserve Bank of India along with Department of Economic Affairs.
73. Ans. D  
Mukesh Ambani is amongst the Forbes list of annual '25 Global Game Changers' 2017 in transforming their industries and changing the lives of billions of people around the globe.

74. Ans. B  
Under the NEFT system, fund transfers are presently settled at hourly intervals from 8 am to 7 pm on all working days in periodical batches. The RBI has recently announced to raise the number of hourly batches from 12 to 25.
75. Ans. E  
The Reserve Bank of India (RBI) has recently permitted banks to open 'banking outlets' in Tier-1 to Tier-6 centers without having the need to take RBI permission. The rationalization is however not applicable to Regional Rural Banks.
76. Ans. D  
The 'International Fertilizer Industry Association' (IFIA) having about 500 members, worldwide including 68 countries is based in Paris, France.
77. Ans. A  
Shri. Rajesh Jain is the author of the book, Mann Ki Baat: A Social Revolution on Radio.
78. Ans. B  
According to the recent data (May 2017) released by the International Stainless-Steel Forum (ISSF), the largest producer of Stainless Steel in the world in 2016 was China.
79. Ans. D  
P. V. Sindhu has recently been elected as one of the members of 'Badminton World Federation' (BWF) Athletes' Commission.
80. Ans. D  
Mobile Wallets which do not permit cash withdrawal as redemption but allows customers to buy goods and services at billed merchants and perform financial services at billed locations are known as Semi-closed Wallets.
81. Ans. A  
Let the project will be completed in x days.  
According to question,  
 $\frac{x-10}{20} + \frac{x}{30} = 1 \Rightarrow \frac{3x-30+2x}{60} = 1$   
 $\Rightarrow 5x-30=60 \Rightarrow 5x=90$   
 $x=18$  days

82. Ans. E  
Let the length of the race = d metre  
B's speed = x;  
A's speed  $x \times \frac{125}{100} = \frac{5x}{4}$   
Because times of A and B are equal.  
 $\therefore \frac{d}{\frac{5x}{4}} = \frac{d-7}{x} \Rightarrow 4d = 5d - 35 \Rightarrow d = 35$
83. Ans. C  
Let the length of the train = x metre  
According to question,  
 $40 = \frac{x}{\left[\frac{(100-64) \times 5}{18}\right]} = \frac{x}{10}$   
 $x = 40 \times 10 = 400m$
84. Ans. B  
Let W alone will empty the full tank = x hours  
1 hour work of inlet A and outlet X  
 $X = \frac{1}{4} - \frac{1}{34} = \frac{15}{68}$   
Time taken by inlet A and outlet X to fill the tank =  $\frac{68}{15}$   
1 hour work of inlet B and outlet W  
 $= \frac{1}{8} - \frac{1}{x} = \frac{x-8}{8x}$   
Time taken by inlet B and outlet W to fill the tank =  $\frac{8x}{x-8}$   
According to question,  
 $\frac{8x}{x-8} - \frac{68}{15} = 6 + \frac{40}{60} \Rightarrow \frac{8x}{x-8} = 6 + \frac{2}{3} + \frac{68}{15}$   
 $\Rightarrow \frac{8x}{x-8} = \frac{90+10+68}{15} = \frac{168}{15}$   
 $\Rightarrow \frac{x}{x-8} = \frac{21}{15} \Rightarrow \frac{x}{x-8} = \frac{7}{5}$   
 $\Rightarrow 5x = 7x - 56 \Rightarrow 2x = 56 \Rightarrow x = 28$  hrs
85. Ans. B  
The part of tank filled by inlet A in 4 hours = 1  
The part of tank filled by inlet A in  $3\frac{1}{2}$  hours =  $\frac{7}{2} \times \frac{1}{4} = \frac{7}{8}$   
Let outlet Y will empty the full tank = x hours  
Time 8 hours 30 mins =  $17/2$  hours  
According to question,

$$\begin{aligned} \frac{17}{2 \times 34} + \frac{17}{2 \times x} &= \frac{7}{8} \\ \Rightarrow \frac{17}{2} \left[ \frac{1}{34} + \frac{1}{x} \right] &= \frac{7}{8} \Rightarrow \frac{1}{34} + \frac{1}{x} = \frac{7}{68} \\ \Rightarrow \frac{1}{x} &= \frac{7}{68} - \frac{1}{34} = \frac{7-2}{68} \Rightarrow \frac{1}{x} = \frac{5}{68} \\ \Rightarrow x &= \frac{68}{5} \Rightarrow x = 13\frac{3}{5} \text{ hrs} \end{aligned}$$

86. Ans. C  
According to question,

$$\begin{aligned} \frac{H}{34} + \frac{H}{30} &= \frac{H+10}{30} \\ \Rightarrow \frac{30H+34H}{34 \times 30} &= \frac{H+10}{30} \Rightarrow 64H = 34H + 340 \\ \Rightarrow 30H + 340 &\Rightarrow H = \frac{34}{3} = 11\frac{1}{3} \text{ hrs} \end{aligned}$$

87. Ans. D  
The part of tank filled by inlet E in 2 hours

$$= \frac{2}{12} = \frac{1}{6}$$

$$\text{Remaining part} = 1 - \frac{1}{6} = \frac{5}{6}$$

$$\text{Inlet (B + C)'s 1 hour's work} = \frac{1}{8} + \frac{1}{6} = \frac{3+4}{24} = \frac{7}{24}$$

$$\text{Time taken by inlet B and C to fill } \frac{5}{6}$$

$$\text{th part of the tank} = \frac{24}{7} \times \frac{5}{6} = \frac{20}{7}$$

$$\text{Total time} = 2 + \frac{20}{7} = \frac{34}{7} = 4\frac{6}{7} \text{ hrs}$$

88. Ans. E  
The part filled by inlet A, D and E in 1 hour =  $\frac{1}{4} + \frac{1}{2} + \frac{1}{2} = \frac{3+6+1}{12} = \frac{10}{12} = \frac{5}{6}$

$$\text{Outlet Z's 1 hour's work} = \frac{1}{30}$$

$$\text{Time taken by outlet Z to empty } \frac{5}{6}$$

$$\text{part of the tank} = \frac{5}{6} \times 30 = 25 \text{ hrs}$$

89. Ans. C  
Let the speed of boat in still water = x  
The speed of current = y  
According to question,

$$\left( 8 + \frac{48}{60} \right) \times (x - y) = 4 \times (x + y)$$

$$\Rightarrow \left( 8 + \frac{4}{5} \right) (x - y) = 4(x + y)$$

$$\Rightarrow \frac{44}{5} (x - y) = 4(x + y)$$

$$\Rightarrow 11x - 11y = 5x + 5y \Rightarrow 6x = 16y$$

$$\Rightarrow \frac{x}{y} = \frac{16}{6} = \frac{8}{3} \Rightarrow x : y = 8 : 3$$

90. Ans. B  
The ratio of the investment of A, B and C  
= 6500\*6:8400\*5:10000\*3 = 13:14:10

B's share in profit

$$= 7400 \times \frac{95}{100} \left[ \frac{14}{13+14+10} \right]$$

$$= 74 \times 95 \times \frac{14}{37} = 2660$$

91. Ans. A  
Let time = t  
According to question,

$$\frac{900 \times 4.5 \times t}{100} = 81$$

$$t = \frac{9}{4.5} = 2 \text{ years}$$

92. Ans. A  
Let the amount invested in scheme B = x  
The amount invested in scheme A = 13900 - x  
According to question,

$$\frac{(13900 - x) \times 14 \times 2}{100} + \frac{x \times 11 \times 2}{100} = 3508$$

$$\Rightarrow 13900 \times 28 - 28x + 22x = 350800$$

$$\Rightarrow 389200 - 6x = 350800$$

$$\Rightarrow 6x = 38400$$

$$x = 6400$$

93. Ans. A  
Total number of balls = 7  
∴ Total possible outcomes =  ${}^7C_2 = \frac{7 \times 6}{1 \times 2} = 21$

Favourable outcomes = Number of ways of drawing 2 balls out of 2 red and 3 green balls =  ${}^5C_2 = \frac{5 \times 4}{1 \times 2} = 10$

$$\therefore \text{Required probability} = \frac{10}{21}$$

94. Ans. C  
Let the initial quantity of liquid A = 7x  
The initial quantity of liquid B = 5x  
According to question,

$$\frac{7x - 9 \times \frac{7}{12}}{5x - 9 \times \frac{5}{12} + 9} = \frac{7}{9}$$

$$\Rightarrow \frac{84x - 63}{60x - 45 + 108} = \frac{7}{9} \Rightarrow \frac{12x - 9}{20x - 15 + 36} = \frac{1}{3}$$

$$\Rightarrow 36x - 27 = 20x + 21$$

$$\Rightarrow 16x = 48 \Rightarrow x = 3$$

The initial quantity of liquid A =  $7 \times 3 = 21$  litre

95. Ans. D

Let the side of the square = a metre and the radius of the circle = r metre

According to question,

$$a = 2r \Rightarrow a^2 - \pi r^2 = 168$$

$$(2r)^2 - \pi r^2 = 168$$

$$4r^2 - \frac{22}{7}r^2 = 168$$

$$r^2(28 - 22) = 168 \times 7$$

$$r^2 = \frac{168 \times 7}{6} = 198 \times 7$$

$$r = 14 \text{ m}$$

Side of square =  $a = 2r = 2 \times 14 = 28 \text{ m}$

Perimeter of square =  $4a = 4 \times 28 = 112 \text{ m}$

$\therefore$  Required cost =  $112 \times 20 = 2,240$

96. Ans. B

Let the speed of boat in still water = x

Speed of current = y

According to question,

$$\frac{14}{x-y} + \frac{36}{x+y} = 4$$

$$\frac{7}{x-y} + \frac{18}{x+y} = 2 \dots(i)$$

$$\frac{20}{x-y} + \frac{24}{x+y} = 5$$

...(ii)

Equation (ii)  $\times 3$  - equation (i)  $\times 4$

$$\frac{60}{x-y} + \frac{72}{x+y} - \frac{28}{x-y} - \frac{72}{x+y} = 15 - 8$$

$$\Rightarrow \frac{32}{x-y} = 7$$

$$x - y = \frac{32}{7} \dots(iii)$$

From equation (i),

$$\frac{7}{\frac{32}{7}} + \frac{18}{x+y} = 2$$

$$\Rightarrow \frac{18}{x+y} = 2 - \frac{49}{32} = \frac{64 - 49}{32}$$

$$\Rightarrow \frac{18}{x+y} = \frac{15}{32} \Rightarrow 6 \times 32 = 5(x+y)$$

$$x+y = \frac{192}{5} \dots(iv)$$

On adding equations (iii) and (iv), we get

$$2x = \frac{32}{7} + \frac{192}{5}$$

$$\Rightarrow x = \frac{16}{7} + \frac{96}{5} = \frac{80 + 672}{35}$$

$$\Rightarrow x = \frac{752}{35} \Rightarrow x = 21.48$$

$\therefore$  Quantity I > Quantity II

97. Ans. C

$$\frac{12 + 9 + M}{3} = 17$$

$$21 + M = 51$$

$$M = 51 - 21 = 30$$

$$\therefore M = 30, 33$$

$\therefore$  Required probability =  $\frac{2}{7}$

Quantity I < Quantity II

98. Ans. E

$$\frac{x^2}{5} + x + \frac{4}{5} = 0$$

$$\Rightarrow x^2 + 5x + 4 = 0$$

$$\Rightarrow x^2 + 4x + x + 4 = 0$$

$$\Rightarrow x(x+4) + 1(x+4) = 0$$

$$\Rightarrow (x+4)(x+1) = 0$$

$$\Rightarrow x = -1, -4$$

$$3y^2 + 4y + 1 = 0$$

$$\Rightarrow 3y^2 + 3y + y + 1 = 0$$

$$\Rightarrow 3y(y+1) + 1(y+1) = 0$$

$$\Rightarrow (y+1)(3y+1) = 0 \Rightarrow y = -1, -\frac{1}{3}$$

Quantity I  $\leq$  Quantity II

99. Ans. D

$$mn \neq 0$$

$$\therefore m, n > 0, m > 0, n > 0,$$

$$m, n < 0, m < 0, n < 0$$

$$\text{Quantity I, } m = n \Rightarrow \frac{m}{n} = 1$$

Quantity II,  $\frac{m}{n} > 1$  or  $\frac{m}{n} < 1$

So relation cannot be determined.

100. Ans. B

According to question,

$$\frac{1}{A} + \frac{1}{B} = \frac{1}{20} \quad \dots(i)$$

$$\frac{24}{A} + \frac{15}{B} = 1 \quad \dots(ii)$$

Equation (i)  $\times$  24 - equation (ii),

$$\frac{24}{B} - \frac{15}{B} = \frac{24}{20} - 1$$

$$\frac{9}{B} = \frac{4}{20}$$

B = 45 Days

By putting the value of B in equation (i)

$$\frac{1}{A} + \frac{1}{45} = \frac{1}{20} \Rightarrow \frac{1}{A} = \frac{1}{20} - \frac{1}{45}$$

$$\Rightarrow \frac{1}{A} = \frac{9-4}{180} = \frac{5}{180}$$

$$A = 36 \text{ days}$$

Quantity I > Quantity II

**Solution. (101-105):**

**Financial year (2013-14):**

Total revenue = 3500

$$\text{Fine} = 3500 \times \frac{55}{7} \times \frac{1}{100} = 275$$

Online ticket = 275 + 300 = 575

Let the revenue from offline ticket sales = x

$$\text{Freight} = x \times \frac{112}{100}$$

According to question,

$$x + x \times \frac{112}{100} = 3500 - 275 - 575$$

$$\Rightarrow \frac{212x}{100} = 2650 \Rightarrow x = 1250$$

Offline ticket = 1250

$$\text{Freight} = 1250 \times \frac{112}{100} = 1400$$

**Financial year (2014-15):**

Online ticket = 575 + 25 = 600

Freight = 1400 + 250 = 1650

$$\text{Fine} = 1650 \times \frac{1}{5} = 330$$

Let the total revenue = x

$$\text{Offline ticket} = \frac{40x}{100} = \frac{2x}{5}$$

According to question,

$$600 + 1650 + 330 + \frac{2x}{5} = x \Rightarrow \frac{3x}{5} = 2580$$

$$x = 4300$$

Total revenue = 4300

$$\text{Offline ticket} = 4300 \times \frac{40}{100} = 1720$$

Financial year (2015-16):

$$\text{Fine} = 275 \times \frac{16}{11} = 400$$

$$\text{Online ticket} = 600 \times \frac{150}{100} = 900$$

$$\text{Offline ticket} = \frac{1250 + 1720}{2} = 1485$$

Freight = 1650 + 250 = 1900

101. Ans. D

Let the fine from vendors in year 2014-15 = x

The fine from vendors in year 2013-14

$$= \frac{55x}{100} = \frac{11x}{20}$$

According to question,

$$\frac{11x}{20} + y = 275 \quad \dots(i)$$

$$x + y = 330 \quad \dots(ii)$$

On solving equations (i) and (ii), we get

$$y = 208$$

102. Ans. E

Let the total expense = x

$$\text{Profit} = x \times \frac{125}{100}$$

$$x + \frac{125x}{100} = 4300$$

$$\frac{112.5x}{100} = 4300$$

$$x = \frac{430000}{112.5}$$

$$x = 3822$$

103. Ans. B

Freight in financial year 2015-16 = 1900

Freight in financial year 2017-18

$$= 1900 + 250 + 250 = 2400$$

Fine in financial year 2015-16 = 400

Fine in financial year 2017-18 = 400

$$\times \frac{120}{100} = 480$$



- Required ratio = 480 : 2400 = 1 : 5
104. Ans. D  
Let the online ticket in financial year 2016-17 = x  
According to question,  

$$\frac{600 + 900 + x}{3} = 1150$$

$$\Rightarrow 1500 + x = 3450$$

$$\Rightarrow x = 1950$$
 Required percentage increase  

$$= \frac{1950 - 600}{600} \times 100$$

$$= 225\%$$
105. Ans. E  
Required number of passengers  

$$= \frac{600 + 1720}{300}$$

$$= \frac{2320}{300} = 7.73$$
106. Ans. D  
The population of village C in 2015  

$$= 18000 \times \frac{10}{100} = 1800$$
 The population of village C in 2017 = 1800  
 In year 2015,  
 Illiterates =  $18000 \times \frac{40}{100} \times \frac{16}{100} = 1152$   
 Literates = 1800 - 1152 = 648  
 In year 2017,  
 Literates = 648 + x  
 Illiterates = 1152 - x  
 According to question,  

$$648 + x = (1152 - x) \times \frac{170}{100}$$

$$\Rightarrow 6480 + 10x = 19584 - 17x$$

$$\Rightarrow 27x = 13104 \Rightarrow x \approx 485$$
107. Ans. D  
Population of village D  

$$= 18000 \times \frac{16}{100} = 2880$$
 Illiterates =  $18000 \times \frac{40}{100} \times \frac{20}{100} = 1440$   
 Literates = 2880 - 1440 = 1440  
 Population of village E =  

$$1800 \times \frac{30}{100} = 5400$$
 Illiterates =  $18000 \times \frac{40}{100} \times \frac{24}{100} = 1728$   
 Literates = 5400 - 1728 = 3672

- Difference of illiterates = 1728 - 1440 = 288  
 Difference of literates = 3672 - 1440 = 2232  
 Required percentage  

$$= \frac{288}{2232} \times 100 \approx 13\%$$
108. Ans. C  
In village D,  
 Illiterates  $18000 \times \frac{40}{100} \times \frac{20}{100} = 1440$   
 Males =  $1440 \times \frac{5}{8} = 900$   
 Females =  $1440 \times \frac{3}{8} = 540$   
 According to question,  

$$\frac{900 - 1.25x}{540 - x} = \frac{5}{2}$$

$$\Rightarrow 1800 - 2.5x = 2700 - 5x$$

$$\Rightarrow 2.5x = 900 \Rightarrow x = 360$$
109. Ans. C  
Illiterates in village D, F and G =  $1910 \times 3 = 5730$   
 Illiterates in village F and G =  $5730 - 1440 = 4290$   
 Let the populations of F and G be 4x and 5x.  
 According to question,  

$$4x \times \frac{40}{100} + 5x \times \frac{30}{100} = 4290$$

$$\Rightarrow 160x + 150x = 429000$$

$$\Rightarrow 310x = 429000$$

$$\Rightarrow x = 1384$$
 Total population of village F and G =  $9x = 9 \times 1384 = 12456$
110. Ans. D  
Population of village A  

$$= 18000 \times \frac{20}{100} = 3600$$
 Males =  $3600 \times \frac{17}{30} = 2040$   
 literate males = 2040 - 1000 = 1040
111. Ans. C  
The words are arranged in the alphabetical order and eliminate vowels from the word and numbers are arranged in the descending order.

In step I, word is arranged in the left end and number is arranged in the right end. In step II, next word is arranged before the previous word and next number is arranged after the previous number. The operation goes on like this.

**Input :** neat bites 23 11 piles your 37 79 give 47

**Step I :** bts neat 23 11 piles your 37 give 47 83

**Step II :** gv bts neat 23 11 piles your 37 83 53

**Step III :** nt gv bts 23 11 piles your 83 53 41

**Step IV :** pls nt gv bts 11 your 83 53 41 29

**Step V :** yr pls nt gv bts 83 53 41 29 13

In step IV, there is one word between 'pls' and 'gv' and 'pls' is before 'gv'. Similarly, in step III, there is one word between '83' and '41' and '83' is before '41'. In step V, there is one word between 'bts' and '53' and 'bts' is before '53'.

112. Ans. A

The words are arranged in the alphabetical order and eliminate vowels from the word and numbers are arranged in the descending order.

In step I, word is arranged in the left end and number is arranged in the right end. In step II, next word is arranged before the previous word and next number is arranged after the previous number. The operation goes on like this.

**Input :** neat bites 23 11 piles your 37 79 give 47

**Step I :** bts neat 23 11 piles your 37 give 47 83

**Step II :** gv bts neat 23 11 piles your 37 83 53

**Step III :** nt gv bts 23 11 piles your 83 53 41

**Step IV :** pls nt gv bts 11 your 83 53 41 29

**Step V :** yr pls nt gv bts 83 53 41 29 13

Hence, in step V seventh element from the left end is '53'. Third element to left of '53' is 'gv'.

113. Ans. A

The words are arranged in the alphabetical order and eliminate vowels from the word and numbers are arranged in the descending order.

In step I, word is arranged in the left end and number is arranged in the right end. In step II, next word is arranged before the previous word and next number is arranged after the previous number. The operation goes on like this.

**Input :** neat bites 23 11 piles your 37 79 give 47

**Step I :** bts neat 23 11 piles your 37 give 47 83

**Step II :** gv bts neat 23 11 piles your 37 83 53

**Step III :** nt gv bts 23 11 piles your 83 53 41

**Step IV :** pls nt gv bts 11 your 83 53 41 29

**Step V :** yr pls nt gv bts 83 53 41 29 13

Hence, in step III there is no element between 'your' and '83'.

114. Ans. B

The words are arranged in the alphabetical order and eliminate vowels from the word and numbers are arranged in the descending order.

In step I, word is arranged in the left end and number is arranged in the right end. In step II, next word is arranged before the previous word and next number is arranged after the previous number. The operation goes on like this.

**Input :** neat bites 23 11 piles your 37 79 give 47

**Step I :** bts neat 23 11 piles your 37 give 47 83

**Step II :** gv bts neat 23 11 piles your 37 83 53

**Step III :** nt gv bts 23 11 piles your 83 53 41

**Step IV :** pls nt gv bts 11 your 83  
53 41 29

**Step V :** yr pls nt gv bts 83 53 41  
29 13

Hence, in step IV, fourth element to right of '11' is '41'.

115. Ans. E

The words are arranged in the alphabetical order and eliminate vowels from the word and numbers are arranged in the descending order.

In step I, word is arranged in the left end and number is arranged in the right end. In step II, next word is arranged before the previous word and next number is arranged after the previous number. The operation goes on like this.

**Input :** neat bites 23 11 piles your  
37 79 give 47

**Step I :** bts neat 23 11 piles your  
37 give 47 83

**Step II :** gv bts neat 23 11 piles  
your 37 83 53

**Step III :** nt gv bts 23 11 piles your  
83 53 41

**Step IV :** pls nt gv bts 11 your 83  
53 41 29

**Step V :** yr pls nt gv bts 83 53 41  
29 13

Hence, in step IV, 'bts 11 your' found consecutively.

116. Ans. D

The words are arranged in the alphabetical order and eliminate vowels from the word and numbers are arranged in the descending order.

In step I, word is arranged in the left end and number is arranged in the right end. In step II, next word is arranged before the previous word and next number is arranged after the previous number. The operation goes on like this.

**Input :** neat bites 23 11 piles your  
37 79 give 47

**Step I :** bts neat 23 11 piles your  
37 give 47 83

**Step II :** gv bts neat 23 11 piles  
your 37 83 53

**Step III :** nt gv bts 23 11 piles your  
83 53 41

**Step IV :** pls nt gv bts 11 your 83  
53 41 29

**Step V :** yr pls nt gv bts 83 53 41  
29 13

Hence, in step II '23' is immediate right of 'neat' and 'bts' is immediate left of 'neat'.

117. Ans. C

Statement I states that most crimes that takes place in city X involves cars with tinted glasses which strengthen the decision of the government to ban cars in the city X with tinted glasses. Statement II states that cars with tinted glasses are responsible for accidents in city X as it affects the visibility in night which also strengthen the government decision of ban cars in the city X with tinted glasses.

Hence, both statements strengthen the government decision.

118. Ans. C

In statement I, farmers of state D starts producing crop Y which does not require nutrient Z for its growth which is the result of given situation. Statement II states that farmers of state D start adding fertilizers in their crops which contains nutrient Z which is the result of given situation as farmers registered a growth of 40% in production. Statement III states that nutrition this year was 200 more than the previous year in state D which is also the result of given situation. Hence all the statements support the given situation.

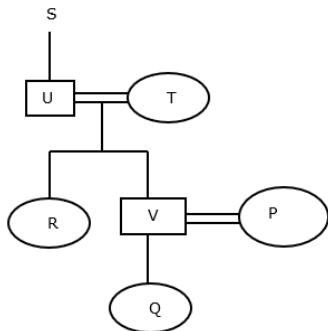
119. Ans. E

Person - P, Q, R, S, T, U and V

1. P is the mother of Q. R is the sister-in-law of P. R is unmarried. T is the daughter-in-law of S. S is the eldest member of the family. U is the father of only R and V. U does not have any sibling. V does not have any son.

From the given information,

Symbol in Diagram	Meaning
○	Female
□	Male
══	Married Couple
—	Siblings
	Difference of A Generation



2. T is older than V but younger than U. S is the eldest member of the family. R is older than V. The third eldest member of the family is 54 years old. The youngest member of the family is 4 years old.

$S > U > T (54) > R > V > P > Q (4)$   
Hence, R possible age is 30.

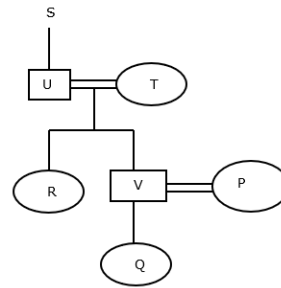
120. Ans. B

Person - P, Q, R, S, T, U and V

1. P is the mother of Q. R is the sister-in-law of P. R is unmarried. T is the daughter-in-law of S. S is the eldest member of the family. U is the father of only R and V. U does not have any sibling. V does not have any son.

From the given information,

Symbol in Diagram	Meaning
○	Female
□	Male
══	Married Couple
—	Siblings
	Difference of A Generation



2. T is older than V but younger than U. S is the eldest member of the family. R is older than V. The third eldest member of the family is 54 years old. The youngest member of the family is 4 years old.

$S > U > T (54) > R > V > P > Q (4)$   
Hence, sum of P and T age is 78.

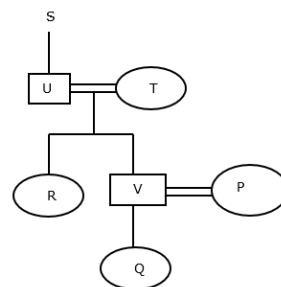
121. Ans. A

Person - P, Q, R, S, T, U and V

1. P is the mother of Q. R is the sister-in-law of P. R is unmarried. T is the daughter-in-law of S. S is the eldest member of the family. U is the father of only R and V. U does not have any sibling. V does not have any son.

From the given information,

Symbol in Diagram	Meaning
○	Female
□	Male
══	Married Couple
—	Siblings
	Difference of A Generation



2. T is older than V but younger than U. S is the eldest member of the family. R is older than V. The third eldest member of the family is 54 years old. The youngest member of the family is 4 years old.

$S > U > T (54) > R > V > P > Q (4)$   
Hence, T is grandmother of Q.

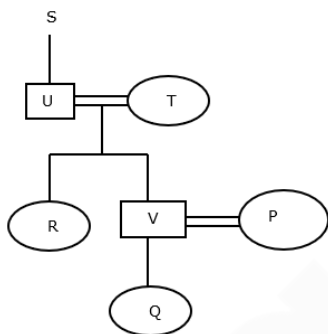
122. Ans. E

Person - P, Q, R, S, T, U and V

1. P is the mother of Q. R is the sister-in-law of P. R is unmarried. T is the daughter-in-law of S. S is the eldest member of the family. U is the father of only R and V. U does not have any sibling. V does not have any son.

From the given information,

Symbol in Diagram	Meaning
○	Female
□	Male
══	Married Couple
—	Siblings
	Difference of A Generation



2. T is older than V but younger than U. S is the eldest member of the family. R is older than V. The third eldest member of the family is 54 years old. The youngest member of the family is 4 years old.

$S > U > T (54) > R > V > P > Q (4)$

The gender of S is not known. Hence, relation between S and R cannot be determined.

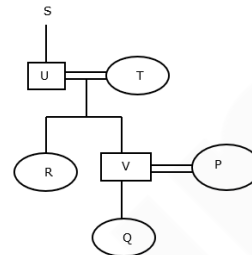
123. Ans. D

Person - P, Q, R, S, T, U and V

1. P is the mother of Q. R is the sister-in-law of P. R is unmarried. T is the daughter-in-law of S. S is the eldest member of the family. U is the father of only R and V. U does not have any sibling. V does not have any son.

From the given information,

Symbol in Diagram	Meaning
○	Female
□	Male
══	Married Couple
—	Siblings
	Difference of A Generation



2. T is older than V but younger than U. S is the eldest member of the family. R is older than V. The third eldest member of the family is 54 years old. The youngest member of the family is 4 years old.

$S > U > T (54) > R > V > P > Q (4)$

Hence, both P and Q are younger than V.

124. Ans. E

Persons - A, B, C, D, E, F, G and H  
Distance - 2300 m, 3800 m, 5000 m, 6400 m, 7200 m, 6300 m, 9100 m and 10000 m

1. The one who ran for 5000 m lives on an even numbered floor above floor number 5. Only three people live between the one who ran for 5000 m and G.

Case 1: The one who ran for 5000m lives on 6<sup>th</sup> floor.

Floor	Person	Distance
8		
7		
6		5000 m
5		
4		
3		
2	G	
1		

Case 2: The one who ran for 5000m lives on 8<sup>th</sup> floor.

Floor	Person	Distance
8		5000 m
7		
6		
5		
4	G	
3		
2		
1		

2. The total distance run by people living on floor number 3 and floor number 6 is 11400 m.

Hence, the person who lives on 6<sup>th</sup> floor ran for 5000m and the person who lives on 3<sup>rd</sup> floor ran for 6400.

Floor	Person	Distance
8		
7		
6		5000 m
5		
4		
3		6400 m
2	G	
1		

3. The one who ran for 9100 m lives immediately above E. Only two people live between the one who ran for 9100 m and A. A does not live on the topmost floor.

Case 1:

Floor	Person	Distance
8		
7		
6		5000 m
5	A	
4		
3		6400 m
2	G	9100 m
1	E	

Case 2:

Floor	Person	Distance
8		
7		
6		5000 m
5		
4		9100 m
3	E	6400 m
2	G	
1	A	

4. The one who ran for 6300 m, lives immediately above the one who ran for 3800 m. Neither E nor A ran for 6300 m. Only two people live between B and the one who ran for 6300 m.

This is not possible in case 1. So, case 2 is correct.

Case 1:

Floor	Person	Distance
8		6300 m
7		3800 m
6		5000 m
5	B	
4		9100 m
3	E	6400 m
2	G	
1	A	

Case 2:

Floor	Person	Distance
8		
7		
6		5000 m
5	B	
4		9100 m
3	E	6400 m
2	G	6300 m
1	A	3800 m

5. The one who lives immediately below D ran for a distance more than that of B, but not the most. The one who ran for 10000 m lives immediately above D. C and G together ran for 16,300 m. C ran more than G. No one lives between H and the one who ran for 7200 m. E did not run for 7200 m.

Hence, G ran for 10,000.

This is not possible in case 1. So, case 2 is correct.

Floor	Person	Distance
8	G	10000 m
7	D	7200 m
6	H	5000 m
5	B	2300 m
4	F	9100 m
3	E	6400 m
2	G	6300 m
1	A	3800 m

Hence, M run for 4300 m.

125. Ans. D

Persons - A, B, C, D, E, F, G and H  
 Distance - 2300 m, 3800 m, 5000 m, 6400 m, 7200 m, 6300 m, 9100 m and 10000 m

1. The one who ran for 5000 m lives on an even numbered floor above floor number 5. Only three people live between the one who ran for 5000 m and G.

Case 1: The one who ran for 5000m lives on 6<sup>th</sup> floor.

Floor	Person	Distance
8		
7		
6		5000 m
5		
4		
3		
2	G	
1		

Case 2: The one who ran for 5000m lives on 8<sup>th</sup> floor.

Floor	Person	Distance
8		5000 m
7		
6		
5		
4	G	
3		
2		
1		

2. The total distance run by people living on floor number 3 and floor number 6 is 11400 m.

Hence, the person who lives on 6<sup>th</sup> floor ran for 5000m and the person who lives on 3<sup>rd</sup> floor ran for 6400.

Floor	Person	Distance
8		
7		
6		5000 m
5		
4		
3		6400 m
2	G	
1		

3. The one who ran for 9100 m lives immediately above E. Only two people live between the one who ran for 9100 m and A. A does not live on the topmost floor.

Case 1:

Floor	Person	Distance
8		
7		
6		5000 m
5	A	
4		
3		6400 m
2	G	9100 m
1	E	

Case 2:

Floor	Person	Distance
8		
7		
6		5000 m
5		
4		9100 m
3	E	6400 m
2	G	
1	A	

4. The one who ran for 6300 m, lives immediately above the one who ran for 3800 m. Neither E nor A ran for 6300 m. Only two people live between B and the one who ran for 6300 m.

This is not possible in case 1. So, case 2 is correct.

Case 1:

Floor	Person	Distance
8		6300 m
7		3800 m
6		5000 m
5	B	
4		9100 m
3	E	6400 m
2	G	
1	A	

Case 2:

Floor	Person	Distance
8		
7		
6		5000 m
5	B	
4		9100 m
3	E	6400 m
2	G	6300 m
1	A	3800 m

5. The one who lives immediately below D ran for a distance more than that of B, but not the most. The one who ran for 10000 m lives immediately above D. C and G together ran for 16,300 m. C ran more than G. No one lives between H and the one who ran for 7200 m. E did not run for 7200 m.

Hence, G ran for 10,000.

This is not possible in case 1. So, case 2 is correct.

Floor	Person	Distance
8	G	10000 m
7	D	7200 m
6	H	5000 m
5	B	2300 m
4	F	9100 m
3	E	6400 m
2	G	6300 m
1	A	3800 m

Hence, the one who ran for 2300m lives immediately above F is the correct statement.

126. Ans. A

Persons - A, B, C, D, E, F, G and H  
 Distance - 2300 m, 3800 m, 5000 m, 6400 m, 7200 m, 6300 m, 9100 m and 10000 m

1. The one who ran for 5000 m lives on an even numbered floor above floor number 5. Only three people live between the one who ran for 5000 m and G.

Case 1: The one who ran for 5000m lives on 6<sup>th</sup> floor.

Floor	Person	Distance
8		
7		
6		5000 m
5		
4		
3		
2	G	
1		

Case 2: The one who ran for 5000m lives on 8<sup>th</sup> floor.

Floor	Person	Distance
8		5000 m
7		
6		
5		
4	G	
3		
2		
1		

2. The total distance run by people living on floor number 3 and floor number 6 is 11400 m.

Hence, the person who lives on 6<sup>th</sup> floor ran for 5000m and the person who lives on 3<sup>rd</sup> floor ran for 6400.

Floor	Person	Distance
8		
7		
6		5000 m
5		
4		
3		6400 m
2	G	
1		

3. The one who ran for 9100 m lives immediately above E. Only two people live between the one who ran for 9100 m and A. A does not live on the topmost floor.

Case 1:

Floor	Person	Distance
8		
7		
6		5000 m
5	A	

BANK 2019 PLUS PACK
ATTEMPT NOW



4		
3		6400 m
2	G	9100 m
1	E	

Case 2:

Floor	Person	Distance
8		
7		
6		5000 m
5		
4		9100 m
3	E	6400 m
2	G	
1	A	

4. The one who ran for 6300 m, lives immediately above the one who ran for 3800 m. Neither E nor A ran for 6300 m. Only two people live between B and the one who ran for 6300 m.

This is not possible in case 1. So, case 2 is correct.

Case 1:

Floor	Person	Distance
8		6300 m
7		3800 m
6		5000 m
5	B	
4		9100 m
3	E	6400 m
2	G	
1	A	

Case 2:

Floor	Person	Distance
8		
7		
6		5000 m
5	B	
4		9100 m
3	E	6400 m
2	G	6300 m
1	A	3800 m

5. The one who lives immediately below D ran for a distance more than that of B, but not the most. The one who ran for 10000 m lives immediately above D. C and G

together ran for 16,300 m. C ran more than G. No one lives between H and the one who ran for 7200 m. E did not run for 7200 m.

Hence, G ran for 10,000.

This is not possible in case 1. So, case 2 is correct.

Floor	Person	Distance
8	G	10000 m
7	D	7200 m
6	H	5000 m
5	B	2300 m
4	F	9100 m
3	E	6400 m
2	G	6300 m
1	A	3800 m

Hence, the one who ran for 10000 m lives immediately above the one who ran for 7200 m.

127. Ans. B

Persons - A, B, C, D, E, F, G and H  
Distance - 2300 m, 3800 m, 5000 m, 6400 m, 7200 m, 6300 m, 9100 m and 10000 m

1. The one who ran for 5000 m lives on an even numbered floor above floor number 5. Only three people live between the one who ran for 5000 m and G.

Case 1: The one who ran for 5000m lives on 6<sup>th</sup> floor.

Floor	Person	Distance
8		
7		
6		5000 m
5		
4		
3		
2	G	
1		

Case 2: The one who ran for 5000m lives on 8<sup>th</sup> floor.

Floor	Person	Distance
8		5000 m
7		
6		
5		
4	G	

3		
2		
1		

2. The total distance run by people living on floor number 3 and floor number 6 is 11400 m.

Hence, the person who lives on 6<sup>th</sup> floor ran for 5000m and the person who lives on 3<sup>rd</sup> floor ran for 6400.

Floor	Person	Distance
8		
7		
6		5000 m
5		
4		
3		6400 m
2	G	
1		

3. The one who ran for 9100 m lives immediately above E. Only two people live between the one who ran for 9100 m and A. A does not live on the topmost floor.

Case 1:

Floor	Person	Distance
8		
7		
6		5000 m
5	A	
4		
3		6400 m
2	G	9100 m
1	E	

Case 2:

Floor	Person	Distance
8		
7		
6		5000 m
5		
4		9100 m
3	E	6400 m
2	G	
1	A	

4. The one who ran for 6300 m, lives immediately above the one who ran for 3800 m. Neither E nor A ran for 6300 m. Only two people live between B and the one who ran for 6300 m.

This is not possible in case 1. So, case 2 is correct.

Case 1:

Floor	Person	Distance
8		6300 m
7		3800 m
6		5000 m
5	B	
4		9100 m
3	E	6400 m
2	G	
1	A	

Case 2:

Floor	Person	Distance
8		
7		
6		5000 m
5	B	
4		9100 m
3	E	6400 m
2	G	6300 m
1	A	3800 m

5. The one who lives immediately below D ran for a distance more than that of B, but not the most. The one who ran for 10000 m lives immediately above D. C and G together ran for 16,300 m. C ran more than G. No one lives between H and the one who ran for 7200 m. E did not ran for 7200 m.

Hence, G ran for 10,000.

This is not possible in case 1. So, case 2 is correct.

Floor	Person	Distance
8	G	10000 m
7	D	7200 m
6	H	5000 m
5	B	2300 m
4	F	9100 m
3	E	6400 m
2	G	6300 m
1	A	3800 m

Hence, Floor number 3 – E is the correct combination.

128. Ans. C

Persons - A, B, C, D, E, F, G and H

Distance - 2300 m, 3800 m, 5000 m, 6400 m, 7200 m, 6300 m, 9100 m and 10000 m

1. The one who ran for 5000 m lives on an even numbered floor above floor number 5. Only three people live between the one who ran for 5000 m and G.

Case 1: The one who ran for 5000m lives on 6<sup>th</sup> floor.

Floor	Person	Distance
8		
7		
6		5000 m
5		
4		
3		
2	G	
1		

Case 2: The one who ran for 5000m lives on 8<sup>th</sup> floor.

Floor	Person	Distance
8		5000 m
7		
6		
5		
4	G	
3		
2		
1		

2. The total distance run by people living on floor number 3 and floor number 6 is 11400 m.

Hence, the person who lives on 6<sup>th</sup> floor ran for 5000m and the person who lives on 3<sup>rd</sup> floor ran for 6400.

Floor	Person	Distance
8		
7		
6		5000 m
5		
4		
3		6400 m
2	G	
1		

3. The one who ran for 9100 m lives immediately above E. Only two people live between the one who ran for 9100 m and A. A does not live on the topmost floor.

Case 1:

Floor	Person	Distance
8		
7		
6		5000 m
5	A	
4		
3		6400 m
2	G	9100 m
1	E	

Case 2:

Floor	Person	Distance
8		
7		
6		5000 m
5		
4		9100 m
3	E	6400 m
2	G	
1	A	

4. The one who ran for 6300 m, lives immediately above the one who ran for 3800 m. Neither E nor A ran for 6300 m. Only two people live between B and the one who ran for 6300 m.

This is not possible in case 1. So, case 2 is correct.

Case 1:

Floor	Person	Distance
8		6300 m
7		3800 m
6		5000 m
5	B	
4		9100 m
3	E	6400 m
2	G	
1	A	

Case 2:

Floor	Person	Distance
8		
7		
6		5000 m
5	B	
4		9100 m
3	E	6400 m
2	G	6300 m
1	A	3800 m

5. The one who lives immediately below D ran for a distance more than that of B, but not the most. The one who ran for 10000 m lives immediately above D. C and G together ran for 16,300 m. C ran more than G. No one lives between H and the one who ran for 7200 m. E did not run for 7200 m. Hence, G ran for 10,000.

This is not possible in case 1. So, case 2 is correct.

Floor	Person	Distance
8	G	10000 m
7	D	7200 m
6	H	5000 m
5	B	2300 m
4	F	9100 m
3	E	6400 m
2	G	6300 m
1	A	3800 m

Hence, F and A together run for 12900 m.

129. Ans. C

The statement B states that IT companies of neighbouring countries of country X faced 'Hacker Virus' in their systems and statement A states that 60% of computer professionals in country X wants to pursue ethical hacking. Statement B is the cause and statement A is its effect.

130. Ans. D

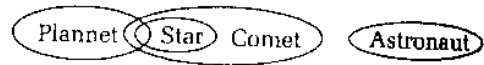
From option (D),

$$T \geq M \geq R \leq O \leq M ; R \leq O \leq M \leq L \leq T$$

Hence,  $R \leq T \rightarrow$  True

131. Ans. A

The least possible diagram for the given statements are below:



**Conclusions :**

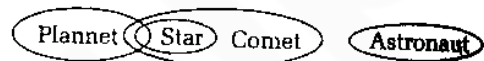
I. No star is an astronaut  $\rightarrow$  It is true. Hence, conclusion I follows.

II. All astronauts are planets  $\rightarrow$  It is possible but not definite. Hence, conclusion II does not follow.

Hence, only conclusion I follows.

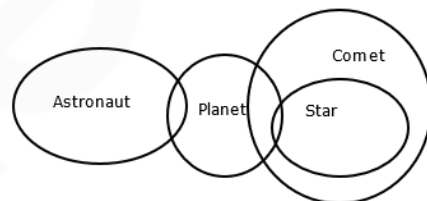
132. Ans. B

The least possible diagram for the given statements are below:



**Conclusions :**

I. Some planets being astronauts is a possibility  $\rightarrow$  The possibility is true as shown below:

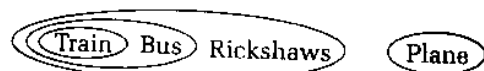


II. At least some comets are planets  $\rightarrow$  It is true. Hence, conclusion II follows.

Hence, both conclusion I and II follows.

133. Ans. A

The least possible diagram is shown as below:



**Conclusions :**

I. All trains are rickshaws  $\rightarrow$  It is true. Hence, conclusion I follows.

II. All plains being trains is a possibility  $\rightarrow$  This is not possible. Hence, conclusion II does not follow.

Hence, only conclusion I follows.

134. Ans. C

From option (C),

BANK 2019 PLUS PACK
ATTEMPT NOW

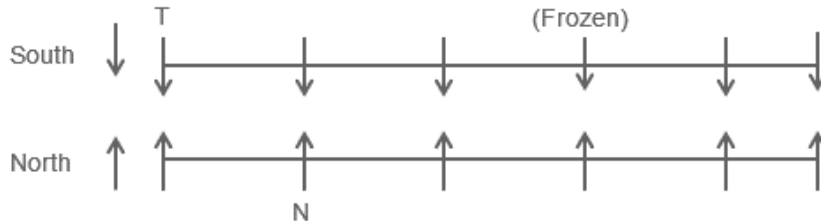
I.  $P \neq U = E > J$  ;  $P = U = E > J$  |  $\therefore W > P \rightarrow \text{True}$   
 II.  $E \neq M < W$  ;  $E = M < W$

135. Ans. B

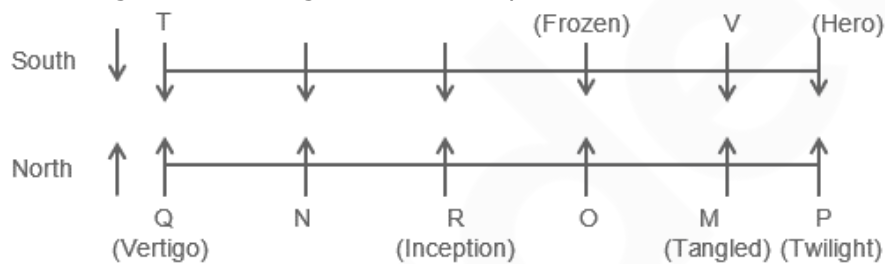
Person - S, T, U, V, W, X, M, N, O, P, Q and R

Movie - Vertigo, Cinderella, Twilight, Gladiator, Uninhabited, Inception, Frozen, Watchmen, Tangled, Aladdin, Hero and Wanted.

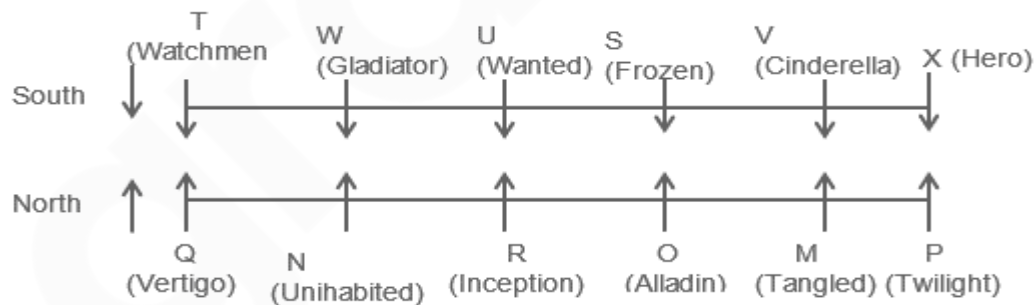
1. T sits at an extreme end of the line. Only two people sit between T and the one who likes Frozen. N sits second to the left of the one who faces the one who likes Frozen.



2. Only two persons sit between P and R. Only one person sits between R and M. One of the immediate neighbours of M faces the one who likes Hero. The one who likes Twilight sits second to the right of O. T does not face the one who likes Twilight. V faces the one who likes Tangled. Only three people sit between the ones who like Tangled and Vertigo. R likes Inception.



3. U does not sit an extreme end of the line. X is not an immediate neighbor of T. The one who likes Cinderella sits to the immediate left of S. P sits second to the right of the one who likes Aladdin. Only one person sits between the one who likes watchmen and wanted. T does not like wanted. N does not like Gladiator.



Hence, Q faces one of the immediate neighbours of W is the true statement.

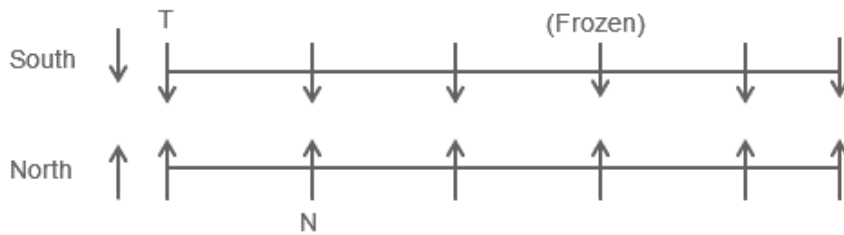
136. Ans. E

Person - S, T, U, V, W, X, M, N, O, P, Q and R

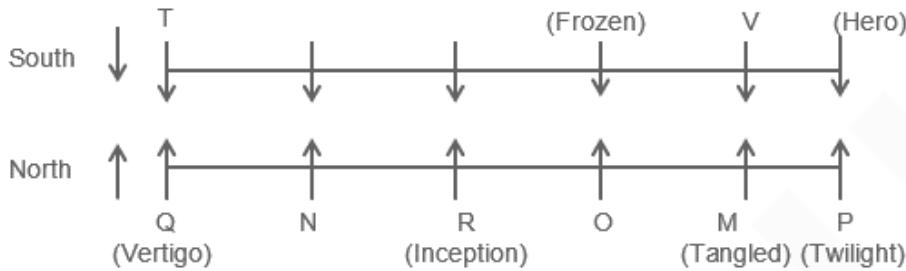
Movie - Vertigo, Cinderella, Twilight, Gladiator, Uninhabited, Inception, Frozen, Watchmen, Tangled, Aladdin, Hero and Wanted.

1. T sits at an extreme end of the line. Only two people sit between T and the one who likes Frozen. N sits second to the left of the one who faces the one who likes Frozen.

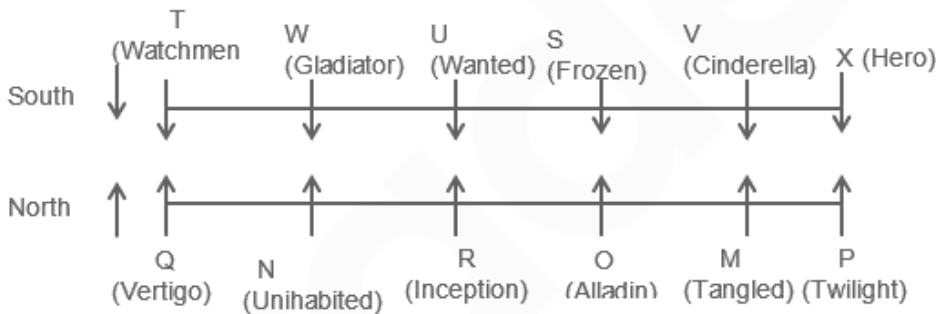
BANK 2019 PLUS PACK
ATTEMPT NOW



2. Only two persons sit between P and R. Only one people sits between R and M. One of the immediate neighbours of M faces the one who likes Hero. The one who likes Twilight sits second to the right of O. T does not face the one who like Twilight. V faces the one who likes Tangled. Only three people sit between the ones who like Tangled and Vertigo. R likes Inception.



3. U does not sit an extreme end of the line. X is not an immediate neighbor of T. The one who likes Cinderella sits to the immediate left of S. P sits second to the right of the one who likes Aladdin. Only one person sits between the one who likes watchmen and wanted. T does not like wanted. N does not like Gladiator.



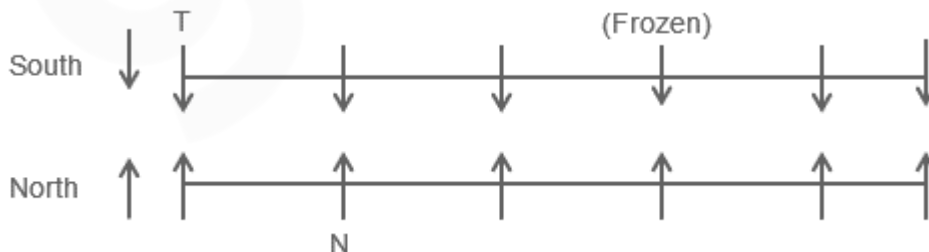
Hence, N likes Unihabited.

137. Ans. C

Person - S, T, U, V, W, X, M, N, O, P, Q and R

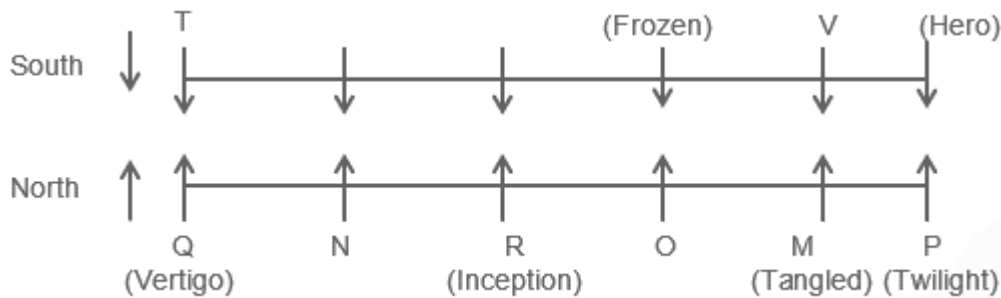
Movie - Vertigo, Cinderella, Twilight, Gladiator, Uninhabited, Inception, Frozen, Watchmen, Tangled, Aladdin, Hero and Wanted.

1. T sits at an extreme end of the line. Only two people sit between T and the one who likes Frozen. N sits second to the left of the one who faces the one who likes Frozen.

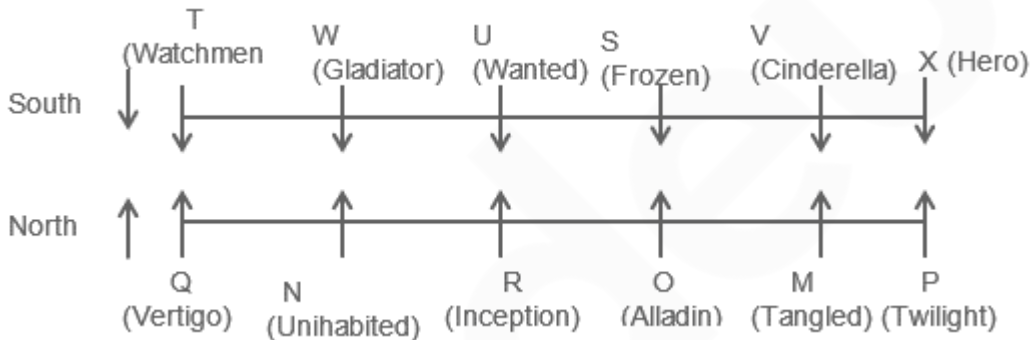


BANK 2019 PLUS PACK
ATTEMPT NOW

2. Only two persons sit between P and R. Only one people sits between R and M. One of the immediate neighbours of M faces the one who likes Hero. The one who likes Twilight sits second to the right of O. T does not face the one who like Twilight. V faces the one who likes Tangled. Only three people sit between the ones who like Tangled and Vertigo. R likes Inception.



3. U does not sit an extreme end of the line. X is not an immediate neighbor of T. The one who likes Cinderella sits to the immediate left of S. P sits second to the right of the one who likes Aladdin. Only one person sits between the one who likes watchmen and wanted. T does not like wanted. N does not like Gladiator.



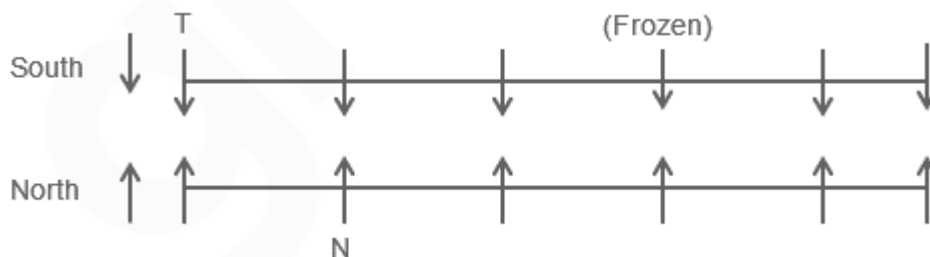
Hence, the one who likes watchmen faces Q.

138. Ans. C

Person - S, T, U, V, W, X, M, N, O, P, Q and R

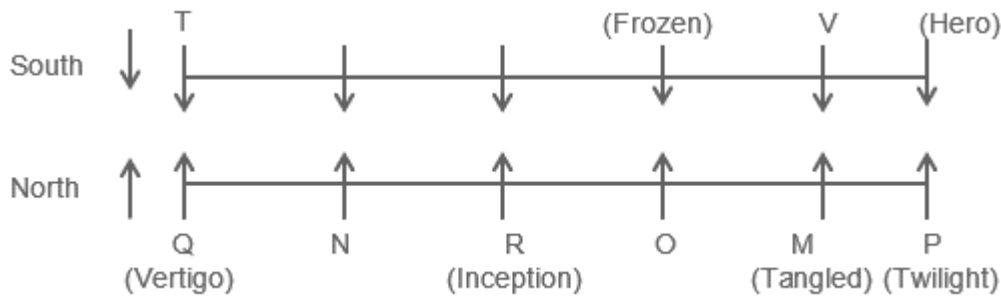
Movie - Vertigo, Cinderella, Twilight, Gladiator, Uninhabited, Inception, Frozen, Watchmen, Tangled, Aladdin, Hero and Wanted.

1. T sits at an extreme end of the line. Only two people sit between T and the one who likes Frozen. N sits second to the left of the one who faces the one who likes Frozen.

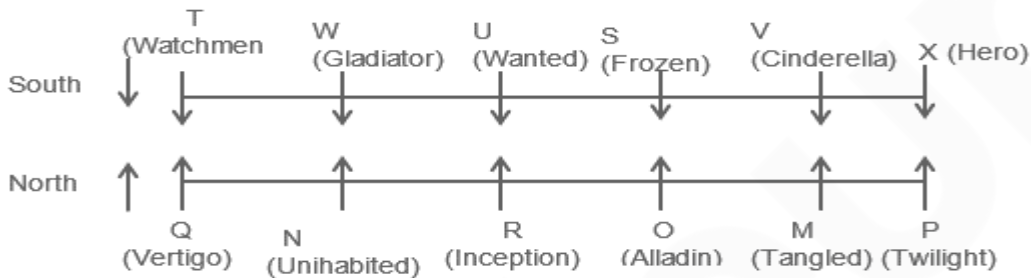


2. Only two persons sit between P and R. Only one people sits between R and M. One of the immediate neighbours of M faces the one who likes Hero. The one who likes Twilight sits second to the right of O. T does not face the one who like Twilight. V faces the one who likes Tangled. Only three people sit between the ones who like Tangled and Vertigo. R likes Inception.

BANK 2019 PLUS PACK
ATTEMPT NOW



3. U does not sit an extreme end of the line. X is not an immediate neighbor of T. The one who likes Cinderella sits to the immediate left of S. P sits second to the right of the one who likes Aladdin. Only one person sits between the one who likes watchmen and wanted. T does not like wanted. N does not like Gladiator.



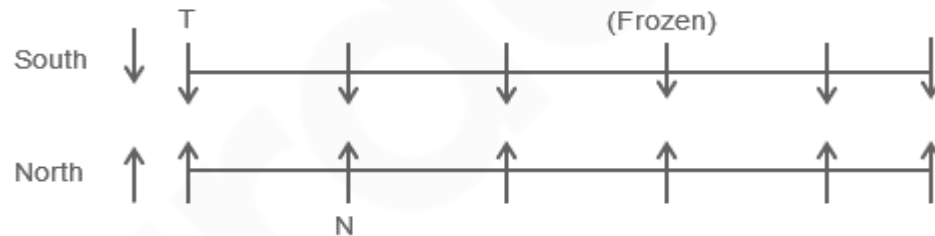
Hence, except the one who likes vertigo is the odd one out.

139. Ans. A

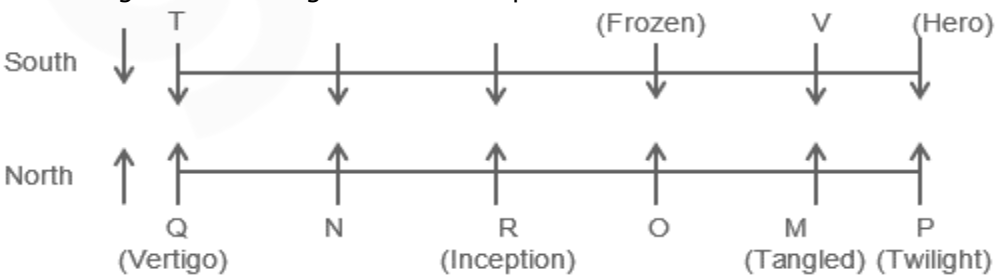
Person - S, T, U, V, W, X, M, N, O, P, Q and R

Movie - Vertigo, Cinderella, Twilight, Gladiator, Uninhabited, Inception, Frozen, Watchmen, Tangled, Aladdin, Hero and Wanted.

1. T sits at an extreme end of the line. Only two people sit between T and the one who likes Frozen. N sits second to the left of the one who faces the one who likes Frozen.



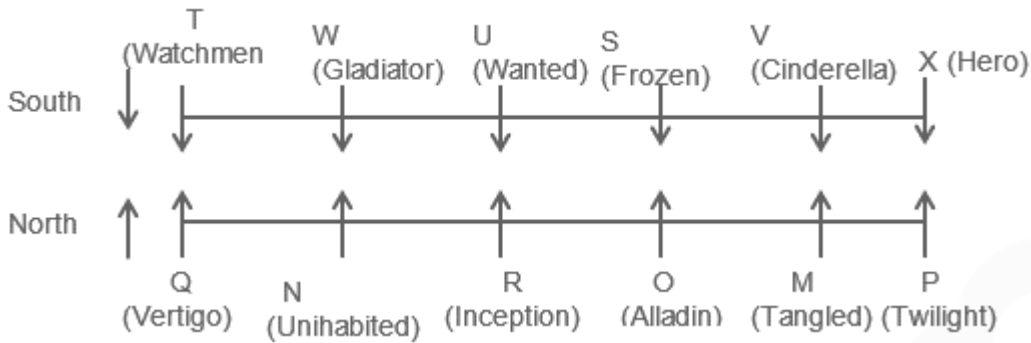
2. Only two persons sit between P and R. Only one people sits between R and M. One of the immediate neighbours of M faces the one who likes Hero. The one who likes Twilight sits second to the right of O. T does not face the one who like Twilight. V faces the one who likes Tangled. Only three people sit between the ones who like Tangled and Vertigo. R likes Inception.



BANK 2019 PLUS PACK
ATTEMPT NOW



3. U does not sit an extreme end of the line. X is not an immediate neighbor of T. The one who likes Cinderella sits to the immediate left of S. P sits second to the right of the one who likes Aladdin. Only one person sits between the one who likes watchmen and wanted. T does not like wanted. N does not like Gladiator.



Hence, U is related to the one who faces P.

140. Ans. D

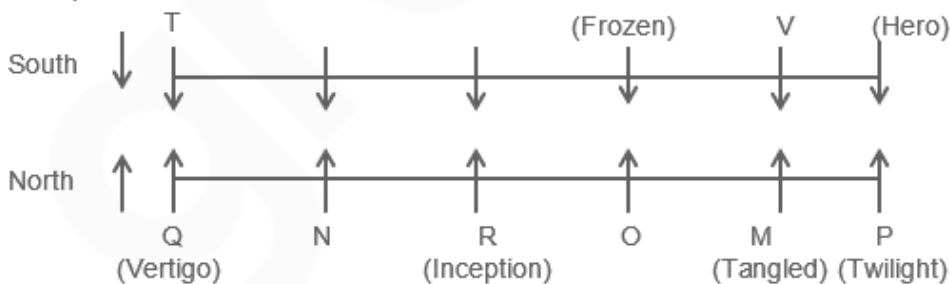
Person - S, T, U, V, W, X, M, N, O, P, Q and R

Movie - Vertigo, Cinderella, Twilight, Gladiator, Uninhabited, Inception, Frozen, Watchmen, Tangled, Aladdin, Hero and Wanted.

1. T sits at an extreme end of the line. Only two people sit between T and the one who likes Frozen. N sits second to the left of the one who faces the one who likes Frozen.

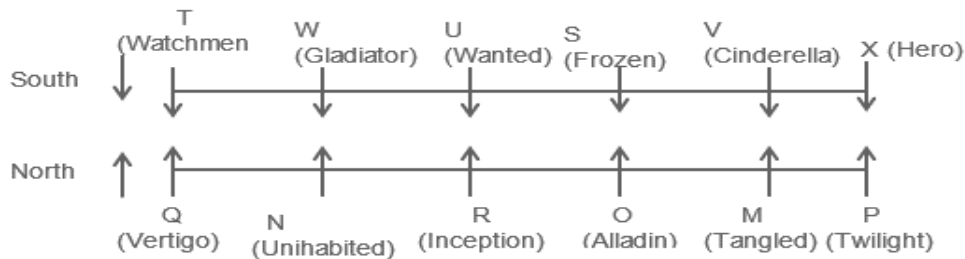


2. Only two persons sit between P and R. Only one people sits between R and M. One of the immediate neighbours of M faces the one who likes Hero. The one who likes Twilight sits second to the right of O. T does not face the one who like Twilight. V faces the one who likes Tangled. Only three people sit between the ones who like Tangled and Vertigo. R likes Inception.



3. U does not sit an extreme end of the line. X is not an immediate neighbor of T. The one who likes Cinderella sits to the immediate left of S. P sits second to the right of the one who likes Aladdin. Only one person sits between the one who likes watchmen and wanted. T does not like wanted. N does not like Gladiator.

BANK 2019 PLUS PACK
ATTEMPT NOW



Hence, Q is second to the left of the one who likes Inception.

141. Ans. C

Since, the balance sheets of previous five years shows that the amount of loans taken by the company against fixed assets has only increased, the result of which is poor financial health of the company this year. So, we can infer that if we decrease the amount of loans against fixed assets then the financial health of company B can be improved. Hence, Conclusion 1 will follow. An analysis of balance sheets of a company throws light on its financial health. Hence, conclusion 3 will also follow.

142. Ans. E

Statement A states that the other schools in the neighborhood of school X also allowed local people to use their basketball courts and cricket schools. Statement B states that school X did not win a single trophy in the past few years due to lack of practice. Statement C states that nearby residents of school X complaints about the disturbance created by the local residents who uses the basketball court and cricket ground after school hours. Statement D states that local residents damaged the property of school X. Statement E states the decision taken by governing board of school X to give access to the number of subsidisers.

Hence, statement E does not strengthen the decision of school X of discontinuing the practice.

143. Ans. C

Person - O, P, Q, R, S, T, U, V, W, X, Y and Z

Month - January, March, April, May, June and December

Colour - Red, Blue, Green, Yellow, Orange, White, Pink, Silver, Maroon, Violet, Brown and Grey

1. V had a lecture on 12th April. Only two people had lectures between V and Q. The one who likes red had a lecture in the same month as Q. Q does not like red.

Case 1:

	January	March	April	May	June	December
12 <sup>th</sup>	(Red)		V			
25 <sup>th</sup>	Q					

Case 2:

	January	March	April	May	June	December
12 <sup>th</sup>			V	(Red)		
25 <sup>th</sup>				Q		

2. The one who likes White had a lecture on an even numbered date of the month which had exactly 30 days. V does not like white. Only three people had a lecture between the one who likes White and the one who likes Violet. As many people had lectures between the one who likes red and O as between Q and the one who likes White. Only two people had lectures between O and the one who likes Blue. U had a lecture on 12th of a month before the one who likes Violet. U likes neither red nor

blue. Only two people had lectures between U and the one who likes Orange. Only two people had lectures between the one who likes Orange and the one who likes Green. X had a lecture in the same month as the one who likes green. As many people had a lecture after W as before X. Only one person had a lecture between W and Z. Z had a lecture before W. the one who likes Pink had a lecture on an odd numbered day in the same month as Z. P had a lecture on 12th of the same month as R. Only two people had lectures between P and the one who likes Yellow. The one who likes maroon had a lecture before P. T likes brown. S does not like Red. W does not like Grey.

Case 1:

	January	March	April	May	June	December
12 <sup>th</sup>	(Red)	U (Green)	V (Violet)	Z	W (White)	P (Blue)
25 <sup>th</sup>	Q	X	(Orange)	O (Pink)		R

Case 2:

	January	March	April	May	June	December
12 <sup>th</sup>	U (Green)	P (Blue)	V (Violet)	(Red)	Z (White)	W
25 <sup>th</sup>	X	R (Orange)	O	Q	(Pink)	

3. Only two people had lectures between P and the one who likes Yellow. The one who likes maroon had a lecture before P. T likes brown. S does not like Red. W does not like Grey.

This is not possible in case 1. So, case 2 is correct.

	January	March	April	May	June	December
12 <sup>th</sup>	U (Green)	P (Blue)	V (Violet)	Y (Red)	Z (White)	W (Silver)
25 <sup>th</sup>	X (Maroon)	R (Orange)	O (Yellow)	Q (Grey)	S (Pink)	T (Brown)

Hence, P and R had lectures in March.

144. Ans. D

Person - O, P, Q, R, S, T, U, V, W, X, Y and Z

Month - January, March, April, May, June and December

Colour - Red, Blue, Green, Yellow, Orange, White, Pink, Silver, Maroon, Violet, Brown and Grey

1. V had a lecture on 12th April. Only two people had lectures between V and Q. The one who likes red had a lecture in the same month as Q. Q does not like red.

Case 1:

	January	March	April	May	June	December
12 <sup>th</sup>	(Red)		V			
25 <sup>th</sup>	Q					

Case 2:

	January	March	April	May	June	December
12 <sup>th</sup>			V	(Red)		
25 <sup>th</sup>				Q		

BANK 2019 PLUS PACK
ATTEMPT NOW

2. The one who likes White had a lecture on an even numbered date of the month which had exactly 30 days. V does not like white. Only three people had a lecture between the one who likes White and the one who likes Violet. As many people had lectures between the one who likes red and O as between Q and the one who likes White. Only two people had lectures between O and the one who likes Blue. U had a lecture on 12th of a month before the one who likes Violet. U likes neither red nor blue. Only two people had lectures between U and the one who likes Orange. Only two people had lectures between the one who likes Orange and the one who likes Green. X had a lecture in the same month as the one who likes green. As many people had a lecture after W as before X. Only one person had a lecture between W and Z. Z had a lecture before W. the one who likes Pink had a lecture on an odd numbered day in the same month as Z. P had a lecture on 12th of the same month as R. Only two people had lectures between P and the one who likes Yellow. The one who likes maroon had a lecture before P. T likes brown. S does not like Red. W does not like Grey.

Case 1:

	January	March	April	May	June	December
12 <sup>th</sup>	(Red)	U (Green)	V (Violet)	Z	W (White)	P (Blue)
25 <sup>th</sup>	Q	X	(Orange)	O (Pink)		R

Case 2:

	January	March	April	May	June	December
12 <sup>th</sup>	U (Green)	P (Blue)	V (Violet)	(Red)	Z (White)	W
25 <sup>th</sup>	X	R (Orange)	O	Q	(Pink)	

3. Only two people had lectures between P and the one who likes Yellow. The one who likes maroon had a lecture before P. T likes brown. S does not like Red. W does not like Grey.

This is not possible in case 1. So, case 2 is correct.

	January	March	April	May	June	December
12 <sup>th</sup>	U (Green)	P (Blue)	V (Violet)	Y (Red)	Z (White)	W (Silver)
25 <sup>th</sup>	X (Maroon)	R (Orange)	O (Yellow)	Q (Grey)	S (Pink)	T (Brown)

Hence, V- Violet is the correct combination.

145. Ans. A

Person - O, P, Q, R, S, T, U, V, W, X, Y and Z

Month - January, March, April, May, June and December

Colour - Red, Blue, Green, Yellow, Orange, White, Pink, Silver, Maroon, Violet, Brown and Grey

1. V had a lecture on 12th April. Only two people had lectures between V and Q. The one who likes red had a lecture in the same month as Q. Q does not like red.

Case 1:

	January	March	April	May	June	December
12 <sup>th</sup>	(Red)		V			
25 <sup>th</sup>	Q					

BANK 2019 PLUS PACK
ATTEMPT NOW

Case 2:

	January	March	April	May	June	December
12 <sup>th</sup>			V	(Red)		
25 <sup>th</sup>				Q		

2. The one who likes White had a lecture on an even numbered date of the month which had exactly 30 days. V does not like white. Only three people had a lecture between the one who likes White and the one who likes Violet. As many people had lectures between the one who likes red and O as between Q and the one who likes White. Only two people had lectures between O and the one who likes Blue. U had a lecture on 12<sup>th</sup> of a month before the one who likes Violet. U likes neither red nor blue. Only two people had lectures between U and the one who likes Orange. Only two people had lectures between the one who likes Orange and the one who likes Green. X had a lecture in the same month as the one who likes green. As many people had a lecture after W as before X. Only one person had a lecture between W and Z. Z had a lecture before W. the one who likes Pink had a lecture on an odd numbered day in the same month as Z. P had a lecture on 12<sup>th</sup> of the same month as R. Only two people had lectures between P and the one who likes Yellow. The one who likes maroon had a lecture before P. T likes brown. S does not like Red. W does not like Grey.

Case 1:

	January	March	April	May	June	December
12 <sup>th</sup>	(Red)	U (Green)	V (Violet)	Z	W (White)	P (Blue)
25 <sup>th</sup>	Q	X	(Orange)	O (Pink)		R

Case 2:

	January	March	April	May	June	December
12 <sup>th</sup>	U (Green)	P (Blue)	V (Violet)	(Red)	Z (White)	W
25 <sup>th</sup>	X	R (Orange)	O	Q	(Pink)	

3. Only two people had lectures between P and the one who likes Yellow. The one who likes maroon had a lecture before P. T likes brown. S does not like Red. W does not like Grey.

This is not possible in case 1. So, case 2 is correct.

	January	March	April	May	June	December
12 <sup>th</sup>	U (Green)	P (Blue)	V (Violet)	Y (Red)	Z (White)	W (Silver)
25 <sup>th</sup>	X (Maroon)	R (Orange)	O (Yellow)	Q (Grey)	S (Pink)	T (Brown)

Hence, O is related to grey.

146. Ans. B

Person - O, P, Q, R, S, T, U, V, W, X, Y and Z

Month - January, March, April, May, June and December

Colour - Red, Blue, Green, Yellow, Orange, White, Pink, Silver, Maroon, Violet, Brown and Grey

1. V had a lecture on 12<sup>th</sup> April. Only two people had lectures between V and Q. The one who likes red had a lecture in the same month as Q. Q does not like red.

BANK 2019 PLUS PACK
ATTEMPT NOW

Case 1:

	January	March	April	May	June	December
12 <sup>th</sup>	(Red)		V			
25 <sup>th</sup>	Q					

Case 2:

	January	March	April	May	June	December
12 <sup>th</sup>			V	(Red)		
25 <sup>th</sup>				Q		

2. The one who likes White had a lecture on an even numbered date of the month which had exactly 30 days. V does not like white. Only three people had a lecture between the one who likes White and the one who likes Violet. As many people had lectures between the one who likes red and O as between Q and the one who likes White. Only two people had lectures between O and the one who likes Blue. U had a lecture on 12th of a month before the one who likes Violet. U likes neither red nor blue. Only two people had lectures between U and the one who likes Orange. Only two people had lectures between the one who likes Orange and the one who likes Green. X had a lecture in the same month as the one who likes green. As many people had a lecture after W as before X. Only one person had a lecture between W and Z. Z had a lecture before W. the one who likes Pink had a lecture on an odd numbered day in the same month as Z. P had a lecture on 12th of the same month as R. Only two people had lectures between P and the one who likes Yellow. The one who likes maroon had a lecture before P. T likes brown. S does not like Red. W does not like Grey.

Case 1:

	January	March	April	May	June	December
12 <sup>th</sup>	(Red)	U (Green)	V (Violet)	Z	W (White)	P (Blue)
25 <sup>th</sup>	Q	X	(Orange)	O (Pink)		R

Case 2:

	January	March	April	May	June	December
12 <sup>th</sup>	U (Green)	P (Blue)	V (Violet)	(Red)	Z (White)	W
25 <sup>th</sup>	X	R (Orange)	O	Q	(Pink)	

3. Only two people had lectures between P and the one who likes Yellow. The one who likes maroon had a lecture before P. T likes brown. S does not like Red. W does not like Grey.

This is not possible in case 1. So, case 2 is correct.

	January	March	April	May	June	December
12 <sup>th</sup>	U (Green)	P (Blue)	V (Violet)	Y (Red)	Z (White)	W (Silver)
25 <sup>th</sup>	X (Maroon)	R (Orange)	O (Yellow)	Q (Grey)	S (Pink)	T (Brown)

Hence, four people have lectures between X and Y.

147. Ans. E

Person - O, P, Q, R, S, T, U, V, W, X, Y and Z

Month - January, March, April, May, June and December

Colour - Red, Blue, Green, Yellow, Orange, White, Pink, Silver, Maroon, Violet, Brown and Grey

**BANK 2019 PLUS PACK**

**ATTEMPT NOW**

1. V had a lecture on 12th April. Only two people had lectures between V and Q. The one who likes red had a lecture in the same month as Q. Q does not like red.

Case 1:

	January	March	April	May	June	December
12 <sup>th</sup>	(Red)		V			
25 <sup>th</sup>	Q					

Case 2:

	January	March	April	May	June	December
12 <sup>th</sup>			V	(Red)		
25 <sup>th</sup>				Q		

2. The one who likes White had a lecture on an even numbered date of the month which had exactly 30 days. V does not like white. Only three people had a lecture between the one who likes White and the one who likes Violet. As many people had lectures between the one who likes red and O as between Q and the one who likes White. Only two people had lectures between O and the one who likes Blue. U had a lecture on 12th of a month before the one who likes Violet. U likes neither red nor blue. Only two people had lectures between U and the one who likes Orange. Only two people had lectures between the one who likes Orange and the one who likes Green. X had a lecture in the same month as the one who likes green. As many people had a lecture after W as before X. Only one person had a lecture between W and Z. Z had a lecture before W. the one who likes Pink had a lecture on an odd numbered day in the same month as Z. P had a lecture on 12th of the same month as R. Only two people had lectures between P and the one who likes Yellow. The one who likes maroon had a lecture before P. T likes brown. S does not like Red. W does not like Grey.

Case 1:

	January	March	April	May	June	December
12 <sup>th</sup>	(Red)	U (Green)	V (Violet)	Z	W (White)	P (Blue)
25 <sup>th</sup>	Q	X	(Orange)	O (Pink)		R

Case 2:

	January	March	April	May	June	December
12 <sup>th</sup>	U (Green)	P (Blue)	V (Violet)	(Red)	Z (White)	W
25 <sup>th</sup>	X	R (Orange)	O	Q	(Pink)	

3. Only two people had lectures between P and the one who likes Yellow. The one who likes maroon had a lecture before P. T likes brown. S does not like Red. W does not like Grey.

This is not possible in case 1. So, case 2 is correct.

	January	March	April	May	June	December
12 <sup>th</sup>	U (Green)	P (Blue)	V (Violet)	Y (Red)	Z (White)	W (Silver)
25 <sup>th</sup>	X (Maroon)	R (Orange)	O (Yellow)	Q (Grey)	S (Pink)	T (Brown)

Hence, 12-Pink is not the correct combination.

BANK 2019 PLUS PACK
ATTEMPT NOW

148. Ans. C

Person - O, P, Q, R, S, T, U, V, W, X, Y and Z

Month - January, March, April, May, June and December

Colour - Red, Blue, Green, Yellow, Orange, White, Pink, Silver, Maroon, Violet, Brown and Grey

1. V had a lecture on 12th April. Only two people had lectures between V and Q. The one who likes red had a lecture in the same month as Q. Q does not like red.

Case 1:

	January	March	April	May	June	December
12 <sup>th</sup>	(Red)		V			
25 <sup>th</sup>	Q					

Case 2:

	January	March	April	May	June	December
12 <sup>th</sup>			V	(Red)		
25 <sup>th</sup>				Q		

2. The one who likes White had a lecture on an even numbered date of the month which had exactly 30 days. V does not like white. Only three people had a lecture between the one who likes White and the one who likes Violet. As many people had lectures between the one who likes red and O as between Q and the one who likes White. Only two people had lectures between O and the one who likes Blue. U had a lecture on 12th of a month before the one who likes Violet. U likes neither red nor blue. Only two people had lectures between U and the one who likes Orange. Only two people had lectures between the one who likes Orange and the one who likes Green. X had a lecture in the same month as the one who likes green. As many people had a lecture after W as before X. Only one person had a lecture between W and Z. Z had a lecture before W. the one who likes Pink had a lecture on an odd numbered day in the same month as Z. P had a lecture on 12th of the same month as R. Only two people had lectures between P and the one who likes Yellow. The one who likes maroon had a lecture before P. T likes brown. S does not like Red. W does not like Grey.

Case 1:

	January	March	April	May	June	December
12 <sup>th</sup>	(Red)	U (Green)	V (Violet)	Z	W (White)	P (Blue)
25 <sup>th</sup>	Q	X	(Orange)	O (Pink)		R

Case 2:

	January	March	April	May	June	December
12 <sup>th</sup>	U (Green)	P (Blue)	V (Violet)	(Red)	Z (White)	W
25 <sup>th</sup>	X	R (Orange)	O	Q	(Pink)	

3. Only two people had lectures between P and the one who likes Yellow. The one who likes maroon had a lecture before P. T likes brown. S does not like Red. W does not like Grey.

This is not possible in case 1. So, case 2 is correct.

BANK 2019 PLUS PACK

ATTEMPT NOW



	January	March	April	May	June	December
12 <sup>th</sup>	U (Green)	P (Blue)	V (Violet)	Y (Red)	Z (White)	W (Silver)
25 <sup>th</sup>	X (Maroon)	R (Orange)	O (Yellow)	Q (Grey)	S (Pink)	T (Brown)

Hence, the one who likes white had lecture in the same month as S.

149. Ans. C

The least possible diagram for the given statements are as below:



A. Conclusion : Some experiments are definitely not tables → This is true.

B. Conclusion : At least some experiments are chairs → This is true.

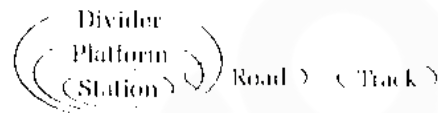
C. Conclusion : All chairs being performances is a possibility → It is not possible.

D. Conclusion : All tables being experiments is a possibility → This is true.

E. Conclusion : All blueprints can never be performances → This is true.

150. Ans. D

The least possible diagram for the given statements are below.



A. Conclusion : All stations are dividers → This is true.

B. Conclusion : Some platforms are definitely not tracks → This is true.

C. Conclusion : All tracks being stations is a possibility → This is true.

D. Conclusion : All dividers being tracks is a possibility → It is not possible.

E. Conclusion : Some dividers are roads → This is true.

151. Ans. C

$$B \leq R \leq U \geq S > H$$

$$Y < O \leq U \leq A$$

$$B \leq R \leq U \leq A$$

**Conclusions :**

I.  $B = A$  } Either conclusion

II.  $B > A$  } I or II is true

Hence, either conclusion I or II is true.

152. Ans. C

$$B \leq R \leq U \geq S > H$$

$$Y < O \leq U \leq A$$

$$B \leq R \leq U \geq O > Y$$

$$O \leq U \geq S > H$$

**Conclusions :** I.  $S \geq O \rightarrow$  False

II.  $R < Y \rightarrow$  False

Hence, neither conclusion I nor II is true.

153. Ans. A

$$S = H \geq A \geq P = E$$

$$P < L \leq R \leq E$$

$$S = H \geq A \geq P = E \geq R \geq L > P$$

Conclusions I.  $S \geq L \rightarrow$  True

II.  $E < A \rightarrow$  False

Hence, only conclusion I follows.

154. Ans. B

$$S = H \geq A \geq P = E$$

$$P < L \leq R \leq E$$

$$S = H \geq A \geq P = E \geq R \geq L > P$$

Conclusions I.  $S < P \rightarrow$  False

II.  $P < A \rightarrow$  True

Hence, only conclusion II follows.

155. Ans. E

Hence, the given statements cannot be a reason behind the decision taken by 'Goldkart' as all the statements did not deal with the idea of 'goldkart' to import jewellery to country X.

156. Ans. E

Statement A states that the workers of state Y demands high wages and started going on strike. Statement B

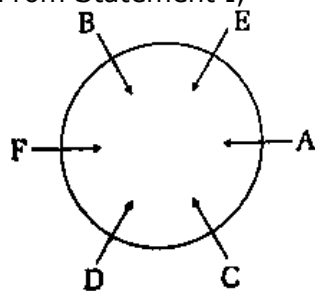
BANK 2019 PLUS PACK
ATTEMPT NOW

states that the dispute on the land is going on in the court where road is to be constructed. Statement C states that due to heavy rainfall in state Y construction work gets affected. Statement D states that construction work is affected due to complaint of local residents. Statement E states that traffic jam is huge in the city in the morning as well as evening.

Hence statement E is not the reason for the delay of construction work in state Y.

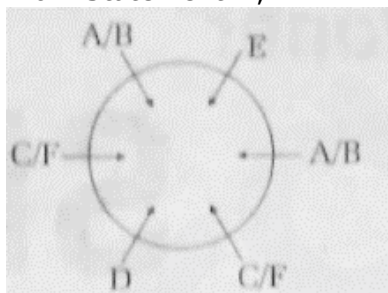
157. Ans. B

From Statement I,



Hence, E is sitting second to the left of F.

From Statement II,



Hence, the data in statement I alone is sufficient to answer the question.

158. Ans. D

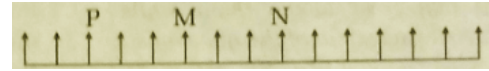
From statement I,  
the dwarf planet → eq sd ap  
the solar energy → kb og sd

From statement II,  
only dwarf planet → eq ap st  
the coldest planet → sd cq yt

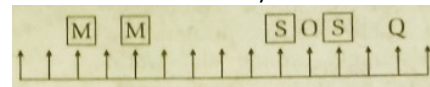
Hence, both statements are together necessary to answer the question.

159. Ans. D

From statement I,



From statement II,



Hence, both statements are necessary together to answer the question.

160. Ans. D

160 Statement I states that the amount of toxic gases in atmosphere of country X have crossed the permissible limit. Statement B states that the emission of toxic gases from industries and mobile sources have increased substantially this year.

Hence statement II is the cause and statement I is its effect.

161. Ans. C

Person - A, B, C, D, E, F, G and H  
City - Varanasi, Nashik, Chennai, Siliguri, Ujjain, Bhopal, Jaipur and Patna

Class - II, V, VIII and XI

1. A studies in an even numbered class. The one who lives in Ujjain studies with A. The one who lives in Varanasi and Jaipur study in the same class, but in a class lower than VIII. D studies in a class lower than that of the one who lives in Varansai.

Case 1: A studies in class II.

Person	Class	City
A	II	
D	II	Ujjain
	V	Varanasi
	V	Jaipur

Case 2: A studies in class VIII.

Person	Class	City
A	VIII	
	VIII	Ujjain
	V	Varanasi

	V	Jaipur
D	II	

2. The one who lives in Nashik studies with H in the same class, but not in Class XI. D does not live in Nashik. E lives in Siliguri. The one who lives in Patna studies in an odd numbered class. Neither H nor D lives in Bhopal.

Case 1: A studies in class II.

Person	Class	City
A	II	Bhopal
D	II	Ujjain
	V	Varanasi
	V	Jaipur
	VIII	Nashik
H	VIII	Chennai
E	IX	Siliguri
	IX	Patna

Case 2: A studies in class VIII.

Person	Class	City
A	VIII	Nashik
H	VIII	Ujjain
	V	Varanasi
	V	Jaipur
D	II	
	II	
	IX	Patna
	IX	

3. B and G study in different classes. B lives neither in Jaipur nor in Nashik. G is senior to both B and H. Neither B nor the one who lives in Siliguri study in the same class as D. C is junior to F.

This is not possible in case 2. So, case 1 is correct.

Case 1: A studies in class II.

Person	Class	City
A	II	Bhopal
D	II	Ujjain
B	V	Varanasi
C	V	Jaipur
F	VIII	Nashik

H	VIII	Chennai
E	IX	Siliguri
G	IX	Patna

Hence, C lives in Jaipur.

162. Ans. E

Person - A, B, C, D, E, F, G and H  
City - Varanasi, Nashik, Chennai, Siliguri, Ujjain, Bhopal, Jaipur and Patna

Class - II, V, VIII and XI

1. A studies in an even numbered class. The one who lives in Ujjain studies with A. The one who lives in Varanasi and Jaipur study in the same class, but in a class lower than VIII. D studies in a class lower than that of the one who lives in Varanasi.

Case 1: A studies in class II.

Person	Class	City
A	II	
D	II	Ujjain
	V	Varanasi
	V	Jaipur

Case 2: A studies in class VIII.

Person	Class	City
A	VIII	
	VIII	Ujjain
	V	Varanasi
	V	Jaipur
D	II	

2. The one who lives in Nashik studies with H in the same class, but not in Class XI. D does not live in Nashik. E lives in Siliguri. The one who lives in Patna studies in an odd numbered class. Neither H nor D lives in Bhopal.

Case 1: A studies in class II.

Person	Class	City
A	II	Bhopal

D	II	Ujjain
	V	Varanasi
	V	Jaipur
	VIII	Nashik
H	VIII	Chennai
E	IX	Siliguri
	IX	Patna

Case 2: A studies in class VIII.

Person	Class	City
A	VIII	Nashik
H	VIII	Ujjain
	V	Varanasi
	V	Jaipur
D	II	
	II	
	IX	Patna
	IX	

3. B and G study in different classes. B lives neither in Jaipur nor in Nashik. G is senior to both B and H. Neither B nor the one who lives in Siliguri study in the same class as D. C is junior to F.

This is not possible in case 2. So, case 1 is correct.

Case 1: A studies in class II.

Person	Class	City
A	II	Bhopal
D	II	Ujjain
B	V	Varanasi
C	V	Jaipur
F	VIII	Nashik
H	VIII	Chennai
E	IX	Siliguri
G	IX	Patna

Hence, except A - Patna all other are belong to same class.

163. Ans. B

Person - A, B, C, D, E, F, G and H  
City - Varanasi, Nashik, Chennai, Siliguri, Ujjain, Bhopal, Jaipur and Patna

Class - II, V, VIII and XI

1. A studies in an even numbered class. The one who lives in Ujjain studies with A. The one who lives in Varanasi and Jaipur study in the same class, but in a class lower than

VIII. D studies in a class lower than that of the one who lives in Varansai.

Case 1: A studies in class II.

Person	Class	City
A	II	
D	II	Ujjain
	V	Varanasi
	V	Jaipur

Case 2: A studies in class VIII.

Person	Class	City
A	VIII	
	VIII	Ujjain
	V	Varanasi
	V	Jaipur
D	II	

2. The one who lives in Nashik studies with H in the same class, but not in Class XI. D does not live in Nashik. E lives in Siliguri. The one who lives in Patna studies in an odd numbered class. Neither H nor D lives in Bhopal.

Case 1: A studies in class II.

Person	Class	City
A	II	Bhopal
D	II	Ujjain
	V	Varanasi
	V	Jaipur
	VIII	Nashik
H	VIII	Chennai
E	IX	Siliguri
	IX	Patna

Case 2: A studies in class VIII.

Person	Class	City
A	VIII	Nashik
H	VIII	Ujjain
	V	Varanasi

BANK 2019 PLUS PACK
ATTEMPT NOW

	V	Jaipur
D	II	
	II	
	IX	Patna
	IX	

3. B and G study in different classes. B lives neither in Jaipur nor in Nashik. G is senior to both B and H. Neither B nor the one who lives in Siliguri study in the same class as D. C is junior to F.

This is not possible in case 2. So, case 1 is correct.

Case 1: A studies in class II.

Person	Class	City
A	II	Bhopal
D	II	Ujjain
B	V	Varanasi
C	V	Jaipur
F	VIII	Nashik
H	VIII	Chennai
E	IX	Siliguri
G	IX	Patna

Hence, H studies in class VIII.

164. Ans. A

Person - A, B, C, D, E, F, G and H  
City - Varanasi, Nashik, Chennai, Siliguri, Ujjain, Bhopal, Jaipur and Patna

Class - II, V, VIII and XI

1. A studies in an even numbered class. The one who lives in Ujjain studies with A. The one who lives in Varanasi and Jaipur study in the same class, but in a class lower than VIII. D studies in a class lower than that of the one who lives in Varanasi.

Case 1: A studies in class II.

Person	Class	City
A	II	
D	II	Ujjain
	V	Varanasi
	V	Jaipur

Case 2: A studies in class VIII.

Person	Class	City
A	VIII	
	VIII	Ujjain
	V	Varanasi
	V	Jaipur
D	II	

2. The one who lives in Nashik studies with H in the same class, but not in Class XI. D does not live in Nashik. E lives in Siliguri. The one who lives in Patna studies in an odd numbered class. Neither H nor D lives in Bhopal.

Case 1: A studies in class II.

Person	Class	City
A	II	Bhopal
D	II	Ujjain
	V	Varanasi
	V	Jaipur
	VIII	Nashik
H	VIII	Chennai
E	IX	Siliguri
	IX	Patna

Case 2: A studies in class VIII.

Person	Class	City
A	VIII	Nashik
H	VIII	Ujjain
	V	Varanasi
	V	Jaipur
D	II	
	II	
	IX	Patna
	IX	

3. B and G study in different classes. B lives neither in Jaipur nor in Nashik. G is senior to both B and H. Neither B nor the one who lives in Siliguri study in the same class as D. C is junior to F.

This is not possible in case 2. So, case 1 is correct.

BANK 2019 PLUS PACK
ATTEMPT NOW

Case 1: A studies in class II.

Person	Class	City
A	II	Bhopal
D	II	Ujjain
B	V	Varanasi
C	V	Jaipur
F	VIII	Nashik
H	VIII	Chennai
E	IX	Siliguri
G	IX	Patna

Hence, A lives in Bhopal.

165. Ans. D

Person - A, B, C, D, E, F, G and H  
 City - Varanasi, Nashik, Chennai, Siliguri, Ujjain, Bhopal, Jaipur and Patna

Class - II, V, VIII and XI

1. A studies in an even numbered class. The one who lives in Ujjain studies with A. The one who lives in Varanasi and Jaipur study in the same class, but in a class lower than VIII. D studies in a class lower than that of the one who lives in Varansai.

Case 1: A studies in class II.

Person	Class	City
A	II	
D	II	Ujjain
	V	Varanasi
	V	Jaipur

Case 2: A studies in class VIII.

Person	Class	City
A	VIII	
	VIII	Ujjain
	V	Varanasi
	V	Jaipur
D	II	

2. The one who lives in Nashik studies with H in the same class, but not in Class XI. D does not live in

Nashik. E lives in Siliguri. The one who lives in Patna studies in an odd numbered class. Neither H nor D lives in Bhopal.

Case 1: A studies in class II.

Person	Class	City
A	II	Bhopal
D	II	Ujjain
	V	Varanasi
	V	Jaipur
	VIII	Nashik
H	VIII	Chennai
E	IX	Siliguri
	IX	Patna

Case 2: A studies in class VIII.

Person	Class	City
A	VIII	Nashik
H	VIII	Ujjain
	V	Varanasi
	V	Jaipur
D	II	
	II	
	IX	Patna
	IX	

3. B and G study in different classes. B lives neither in Jaipur nor in Nashik. G is senior to both B and H. Neither B nor the one who lives in Siliguri study in the same class as D. C is junior to F.

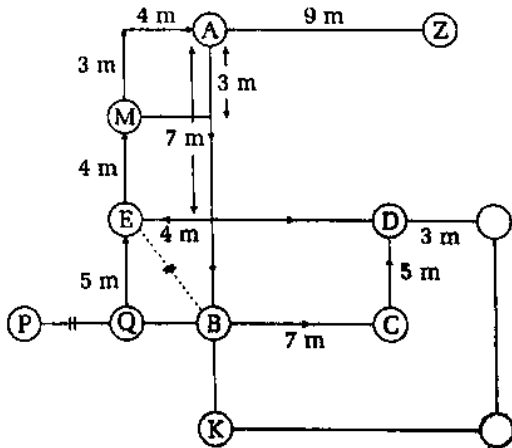
This is not possible in case 2. So, case 1 is correct.

Case 1: A studies in class II.

Person	Class	City
A	II	Bhopal
D	II	Ujjain
B	V	Varanasi
C	V	Jaipur
F	VIII	Nashik
H	VIII	Chennai
E	IX	Siliguri
G	IX	Patna

Hence, the one who lives in Jaipur studies in class V is the correct statement.

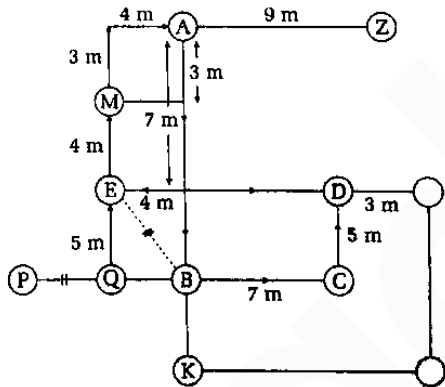
166. Ans. A



The distance between point E and K is 9m.

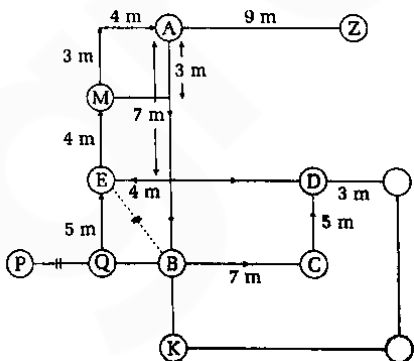
Hence, the distance between B and K is  $9 - 5 = 4m$ .

167. Ans. D



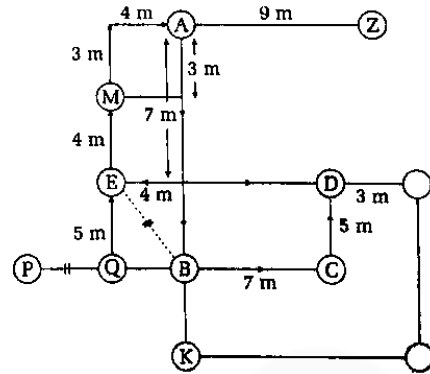
Hence, from point M 3m towards north, turn right and walk for 4m leads to point A.

168. Ans. C



Hence, point C is in east direction with respect to point P.

169. Ans: B



Hence, Arun walks 11m to reach point D.

170. Ans. D

Statement A states the tourism package offered by various travel agencies of country G. Statement C states that the country G have started special buses, trains and flights at reasonable rates for passengers. Statement C states that city F in country G lower their holiday packages for tourists. Statement D states that country G was most preferred tourist destination from the last three years.

171. Ans. A

The whole passage is about how during the time of recession, the Greek government has imposed huge business taxes on the companies, thus making them flee the country. So, option A is correct. Option B is incorrect as many companies have migrated owing to the prevalent economic situations. Option C is incorrect as the fourth paragraph mentions "Other euro-crisis countries, such as Portugal and Ireland..." D is not at all mentioned in the passage.

172. Ans. C

The whole passage is about how during the time of recession, the Greek government has imposed huge business taxes on the companies, thus making them flee the country, which therefore, has hampered the economy. Hence option C is the best fit answer.

**BANK 2019 PLUS PACK** ATTEMPT NOW

173. Ans. D

IV is incorrect with reference to the passage. It states quite the opposite of what is given. Investment and growth cannot be promoted by levying huge amount of taxes. The other three statements are true in the context of the passage. Thus, option D is the correct answer.

174. Ans. C

In the last line of the passage, the author states "Carry on in this vein, and there will not be many businesses, or much profit, left to tax." This means that he/ she believes that if the imposition of business tax continues, Greece will not be left with many businesses. Thus, option C is the correct answer.

175. Ans. A

Since the companies are leaving Greece under the threat of imposition of huge taxes, it can be said that Greece is no more business friendly and also that the taxes are unjustified. Thus, option A is the correct answer.

B is not stated in the passage and C is also incorrect as we are not told whether Bulgaria has not been affected by the European crises. D is completely wrong, and E does not state the correct reason for the departure of the companies. Rather than the recession, it is the high taxes that caused them to flee.

176. Ans. B

The idiom "grasping at straws" is used when you're desperate and pursuing even the slightest hope or possibility (even if it probably won't work). This meaning is accurately conveyed in option B which indicates that the detective was trying hard to find a clue even though practically there was none. Option A uses the phrase incorrectly, and "beating around the bush" would fit more appropriately than "**grasping at straws**".

Option C mentions **grasping at straws** as a regular activity which is incorrect.

Option D more or less indicates the literal meaning of the phrase.

Hence, option B is the correct answer.

177. Ans. D

If someone is left holding the baby, they are made responsible for a problem that others don't want to deal with. This meaning is appropriately conveyed by option D as the senior let the speaker suffer alone.

Option A conveys that Aryan tricks you.

Option B conveys that work was left on somebody else.

Option C conveys a literal sense of holding a baby.

Thus, option D is the best fit answer.

178. Ans. A

The idiom "to play by ears" means to decide how to deal with a situation as it develops, rather than acting according to plans made earlier. Since option A talks about unpredictability, the idiom best fits in the context.

Options A and D talk about music and C talks about it as a habit that can land someone into jail.

179. Ans. B

Note that the blank space is followed by the word out, with which "get" forms a phrasal verb, but without lending the sentence the required meaning. To get out means to leave, but with respect to the context, things are being found out about the civilization. (I) cannot follow as the phrase "internalizing out" is incorrect. (III) fits in appropriately and option B is the correct answer.

180. Ans. E

The part after the comma in the given sentence means that many people want her to run for the fifth term. Hence the part in the blank



may state that "she" answered the questions or avoided them.

Thus, all I, II and III fit in the blank and convey meaningful and grammatically correct meaning.

181. Ans. D

People cannot be suspected to take ownership of the public facilities; hence the word is incorrect in the context of the given sentence. Here the "it" must have requested the residents, hence "requested" or "urged" would be a correct term.

Procure means to secure and the facilities can be secured by tax revenue paid by members of the public.

The usage of the word "against" towards the end clearly indicates that a negative word must be used after it as you would secure something against a bad thing, So, vandalism, which means the deliberate destruction of or damage to public or private property, is the correct answer.

182. Ans. A

Sycophancy: praising people in authority in a way that is not sincere, usually in order to get some advantage from them

Pluralism: a condition or system in which two or more states, groups, principles, sources of authority, etc., coexist.

Exaggerated: represent (something) as being larger, better, or worse than it really is It is very unlikely that those who are sycophants would be attacked, hence, "dissent" or disagreement would be a more proper word. One cannot say that any rule of the Constitution is exaggerated. Freedom of speech and expression is one of the basic or ground rules of the Constitution. "Pluralism" is correct in the given context. Hence option A is the correct answer.

183. Ans. D

Ostracise- exclude from a society or group.

Hoodlums- a person who engages in crime and violence; a hooligan or gangster

Facilitate- provide

One cannot be ostracised "with", hence the first word is incorrect. "Sympathised" would be more appropriate in the given context.

With reference to destruction, "hoodlums" is correct and facilitated also fits appropriately in the context.

184. Ans. E

Harangue- a lengthy and aggressive speech

Lay out- express

Obstruct- hinder

Since the context talks about a person criticizing the Supreme Court, all the words fit appropriately.

185. Ans. B

Accost- approach and address (someone) boldly or aggressively  
Canonize- (in the Roman Catholic Church) officially declare (a dead person) to be a saint.

Emollient- having the quality of softening or soothing the skin

Accost is a verb, but we need a noun as the word is followed by the preposition "of". Hence, in the given context a word like "legend" would be more appropriate.

Canonized fits well with the context of the Church of Rome.

Again, "emollient" is an adjective, but we require a verb to show what the new cult would do to the memory of Hus. Thus, words synonymous as well as opposite in meaning to "strengthen" can be used.

Option B is the correct answer.

186. Ans. D

Cavort- skip dance

Acquiesce- accept something reluctantly but without protest

Cantankerous- bad- tempered

Catechize- put questions to or interrogate (someone).

Rapacious-greedy

Resuscitate- revive (someone) from unconsciousness or apparent death

Obliterate- destroy

Humongous- huge

Abscond- escape

For the first blank we need an adjective for the word "leader". Hence, option A can be eliminated as "cavort" is a verb. Humongous is also not an apt adjective for a leader in the given contexts. This eliminates option E. The tone of the second sentence seems to be positive with respect to the leader, hence B and C can be eliminated. The words in option D properly fit in the blanks, thus, it is the correct answer.

187. Ans. C

Dearth-shortage

Cogent- convincing

Debauchery- excessive indulgence in sex, alcohol, or drugs

Congruity- the quality of agreeing; being suitable and appropriate

Cleave- split or sever (something)

Parlance- a particular way of speaking or using words, especially a way common to those with a particular job or interest

Diminution- restriction, limitation

The usage "between" after the first blank in the second sentence suggests that "congruity" is the most appropriate fit as it there can be agreement between two entities. Even in the first sentence, two things have been mentioned. "Perspective" fits well after "individual's". Thus, option C is the correct answer.

188. Ans. A

Monumental- great in importance, extent, or size

Exaggeration- statement that represents something as better or worse than it really is

Debunk- explode

Emulation- to copy something achieved by someone else

Espouse- adopt

Doomsday- the last day of the world's existence

Expunge- erase

Fallacies- misconception

Hegemony- dominance

The first blank of the second sentence undoubtedly requires an adjective to modify the noun reforms. Only "monumental" is an adjective among all the given words for the first blank. Hence, option A is the best fit answer.

189. Ans. B

"Because" shows a reason, but since the second sentence does not state a reason behind the second, alternative I can be eliminated. III is an unfit as "between" must take two entities which is not mentioned in the first sentence. Alternative II fits appropriately as the first sentence gives a reason why it became a difficult task for her and "however" acts as "but" to show the contrast.

**New statement:** This became a difficult task, as her publishers in Philadelphia had retired from business many years ago; however, it was eventually discovered that her residence is at Wilmington, Delaware, and copies of the second edition of the book, 1889, were obtained from her.

190. Ans. C

"Hadly... but" is an incorrect pair of correlative conjunctions, hence, I can be discarded. Here "since" would mean "because", which would be inept to join the two sentences. "During" shows the duration of time and "which" follows logically.

**New Statement:** During the first nineteen months of my life I had caught glimpses of broad, green fields, a luminous sky, trees and flowers which the darkness that followed could not wholly blot out.

191. Ans. D

In the first parts several phrases have been connected by commas, so another phrase can be added to it. Also, since the second part

expresses a contrast to the first, "but" is suitable for it. Hence, both I and III can join the two sentences appropriately. "So" indicates a reason, which is not the case. Option D is the correct answer.

**New statement:** He redressed many grievances, regulated the administration of justice, encouraged commerce, reformed the coinage, but as time went on he was compelled to demand larger subsidies and to take severer measures against heretical opinions.

192. Ans. B

Only option B carries a correct statement. The errors in the other parts are as follows:

A- Increase is a noun, hence the adjective "substantial" should be used instead of the adverb "substantially".

C- "Database" is a collective noun, and in the given context, a singular verb should be used with it. So, "show" should be replaced by "shows".

D- "They" in the latter part of the sentence is incorrect as the subject here is singular "he" and no other entity is being talked about here.

E- The phrase "once belongs" is incorrect. It should be once belonged.

193. Ans. A

Only sentence A is correct. The errors in the other options are as follows:

B- "Lack of privacy" is the correct phrase and not "lacking of privacy"

C- The usage of the article "the" indicates superlative degree, hence, "more" should be replaced by "most".

D- "Infant" and "maternal" acts as adjectives, hence the noun "mortality" should be used.

E- "Construction- work" is a singular term, hence, "are" should be replaced by "is".

194. Ans. C

Only C is the correct statement. The errors in the other options are as follows:

A- Here the usage of the word "British's" is incorrect. British itself is an adjective and hence the possessive need not be used. The phrase "British economy" conveys the required meaning.

B- The usage of "to entering" is incorrect. Since "entering" shows movement, the preposition "into" should be used.

D- "Not only" and "but also" form a correlative conjunction, thus the usage of "but so" is wrong.

E- The phrase "to generation" is wrong. With "to" the base form of the verb should be used to form an infinitive. Thus, "to generate" is the correct phrase.

195. Ans. D

Only option D is error free. The errors in the other parts are as follows:

A- "Participation of patients" is correct, thus, for should be replaced by "for".

B- The phrase "rise and reign" acts as a singular entity, thus the singular verb "is" should be used with it.

C- The phrase "called in" is incorrect, as it means to make a call to someone. Here the context is about people asking the university and government to do more to prevent sexual assault and harassment. Thus, the phrase "called on" should be used which means to ask someone to do something.

196. Ans. B

According to the first paragraph of the passage, "U.S. President Donald Trump's decision to move the U.S. embassy to Jerusalem irreparably damaged the United States' image as a credible arbiter in the Israel-Palestine conflict." Hence option B states the correct answer.

197. Ans. A

According to the passage, "Its "friend-to-all" image enabled New Delhi to garner an invitation from Palestinian Authority leader Mahmoud Abbas to sit on a proposed "multilateral forum" for negotiations on a peace deal between Palestine and Israel—a role India is increasingly able to fill." This means that India is a country which does not take sides, rather it is diplomatic in its approach. Hence it is admired by all the nations as an arbitrator. So, option A is the correct answer.

198. Ans. B

The passage represents India as a country which does not arbitrarily favour any country but tries to have diplomatic relationship with all. So,

it is neutral in its approach. Thus, option B is the correct answer.

199. Ans. E

All the statements are true with reference to the given passage, thus, E is the correct answer.

200. Ans. B

In the given passages the author discusses the neutral role played by India at the global platform. He/ she analyses the position of India with reference to several countries by putting forth arguments and examples. Thus, option B best describes the tone of the passage.

The passage is not objective as the author does not report events. It is also not critical as it does not criticize any entity but analyses the facts.

Acerbic- harsh

Sarcastic- humorous

\*\*\*